

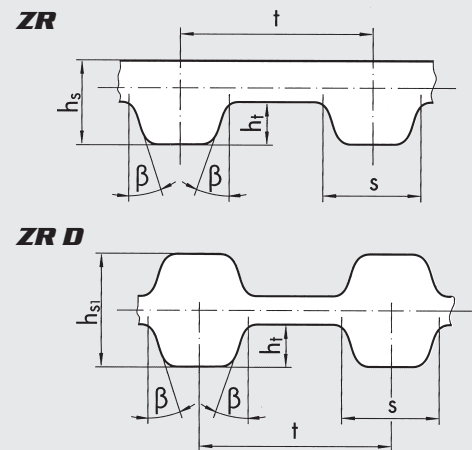
## optibelt ZR / ZR D

The most salient features of the Optibelt ZR timing belts are the high quality neoprene compounds, the extremely flexible tension cords made of glass fibre and the abrasion-resistant protective fabric. A certain level of oil, heat and cold resistance are standard features of ZR timing belts.

### Advantages

- Synchronous torque transmission
- Broad performance range
- Low bearing loading
- High level of flexibility
- Extremely small pulley diameters

Customised versions tailored to a particular application can be provided on request.



### Sections:

**ZR:** MXL; XL; L; H; XH; XXH

**ZR D:** D-XL; D-L; D-H

**ZR:** endless timing belts  
XL; L; H

### Dimensions:

**ZR:** 91 to 4 572 mm

**ZR D:** 381 to 4 318 mm  
other sizes on request

### Timing pulleys Optibelt ZRS:

standard timing pulleys for cylindrical bores ZR: XL; L; H; XH  
standard timing pulleys for taper bushes ZR: L; H; XH  
special pulleys on request

## Examples of Applications

- |                                  |                        |
|----------------------------------|------------------------|
| Office equipment                 | ■ Copiers              |
| Data processing                  | ■ Printers             |
| Household appliances             | ■ Mixers               |
| Gardening equipment              | ■ Scarifiers, aerators |
| Film and photographic technology | ■ Film cameras         |
| D.I.Y. tools                     | ■ Planes               |
| Packing machines                 | ■ Measuring drives     |
| Conveying technology             | ■ Control unit drives  |



	$h_t$ [mm]	$t$ [mm]	$s$ [mm]	$h_s$ [mm]
<b>DXL</b>	1,27	5,080	2,57	3,05
<b>DL</b>	1,91	9,525	4,65	4,57
<b>DH</b>	2,29	12,700	6,12	5,94

<b>DXL</b>		<b>DL</b>		<b>DH</b>	
Wirklänge Pitch length [mm]	Anzahl der Zähne Number of teeth	Wirklänge Pitch length [mm]	Anzahl der Zähne Number of teeth	Wirklänge Pitch length [mm]	Anzahl der Zähne Number of teeth
150	75	187	50	240	48
160	80	210	56	270	54
170	85	225	60	300	60
180	90	240	64	330	66
190	95	255	68	360	72
200	100	270	72	390	78
210	105	285	76	420	84
220	110	300	80	450	90
230	115	322	86	480	96
240	120	345	92	510	102
250	125	367	98	540	108
260	130	390	104	570	114
280	140	420	112	600	120
300	150	450	120	630	126
310	155	480	128	660	132
		510	136	700	140
		540	144	750	150
		600	160	800	160
				850	170
				900	180
				1000	200
				1100	220
				1250	250
				1400	280
				1700	340



Bestellbeispiel Order example	Produkt Product	Wirklänge Pitch length [mm]	Profil/Ausführung Profile and model	Breite Belt width [Zoll inch]	
Optibelt ZR	Zahnriemen, doppelverzahnt Double Timing Belt	310	DXL	1/4"	