

Pulegge trapezoidali per bussola conica in ghisa



Catalogo tecnico 2009

Trasmissioni Industriali s.a.s.

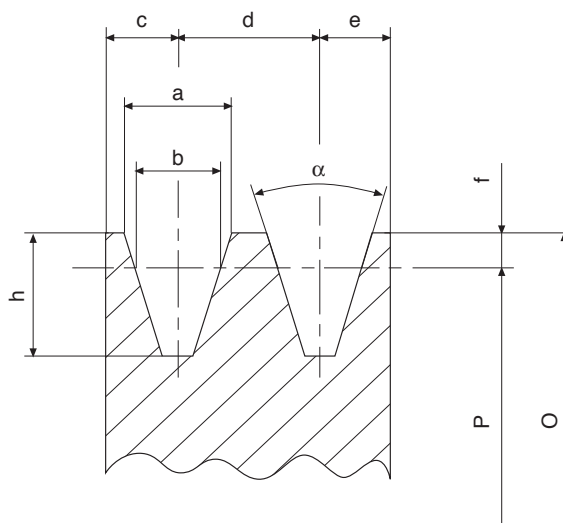
Via lago di Annone n°15 Schio VI - ITALY

Tel 0445.500.142 Fax 0445-500.018

Mail: info@trasmissioniindustriali.com

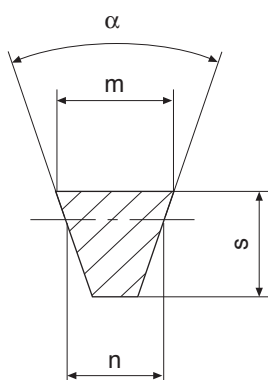
Sito: www.trasmissioniindustriali.com

Pullegge trapezoidali per bussola conica



Dimensioni gole pullegge

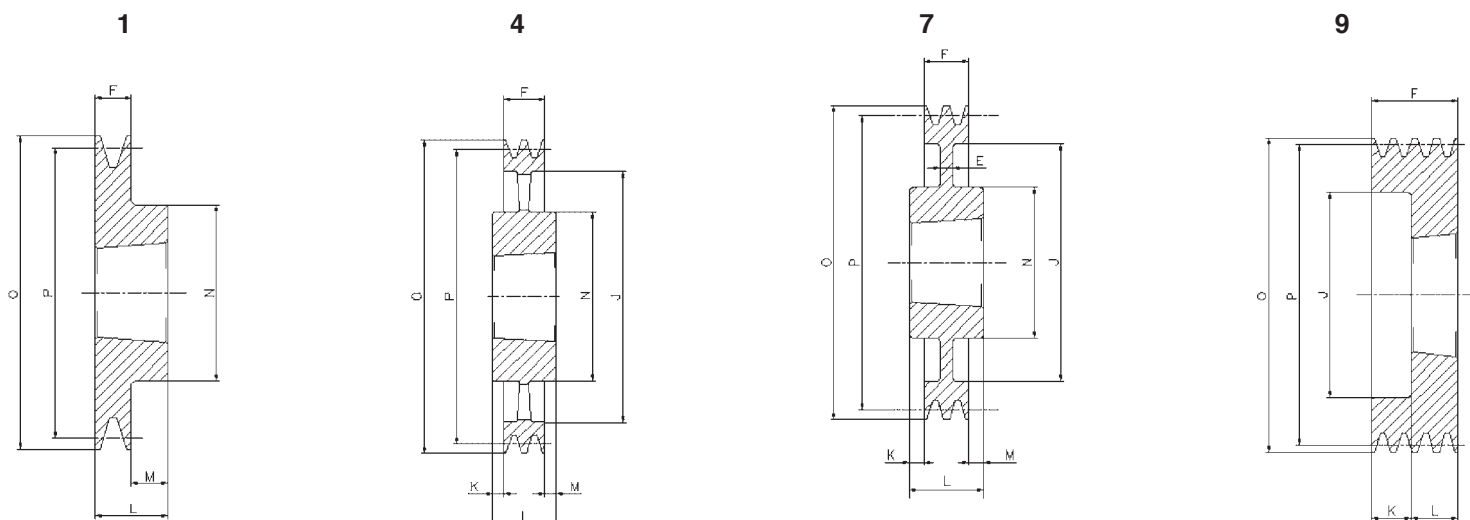
| | a | b | c | d | e | f | h | 34° | 38° |
|------------|------|-----|------|------|------|-----|------|---------|---------|
| SPZ | 9,7 | 8,5 | 8 | 12 | 8 | 2 | 11 | P ≤ 80 | P > 80 |
| SPA | 12,7 | 11 | 10 | 15 | 10 | 2,8 | 13,8 | P ≤ 118 | P > 118 |
| SPB | 16,3 | 14 | 12,5 | 19 | 12,5 | 3,5 | 17,5 | P ≤ 190 | P > 190 |
| SPC | 22 | 19 | 17 | 25,5 | 17 | 4,8 | 23,8 | P ≤ 315 | P > 315 |



Dimensioni cinghia

| | m | s | n |
|------------|------|----|-----|
| SPZ | 9,7 | 8 | 8,5 |
| SPA | 12,7 | 10 | 11 |
| SPB | 16,3 | 13 | 14 |
| SPC | 22 | 18 | 19 |

Pulegge trapezoidali per bussola conica

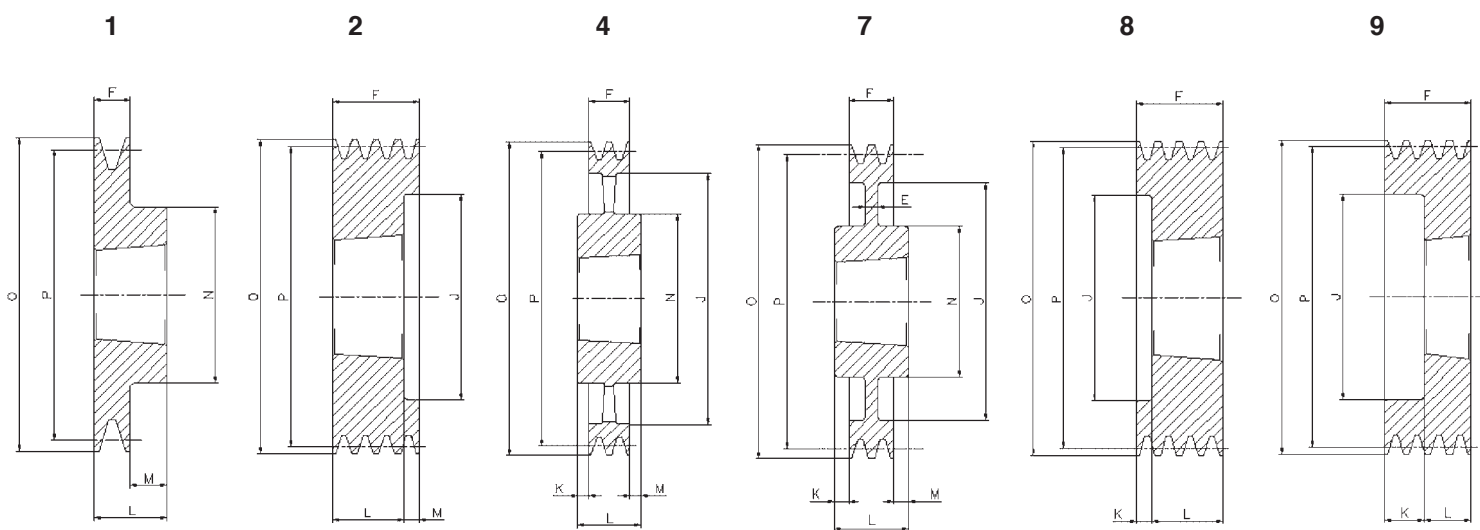


SPZ/1

| Tipo | Gole | P | O | Forma | Bussola | Ø MAX | E | F | J | K | L | M | N |
|-----------|------|-----|-----|-------|---------|-------|----|----|-----|------|----|------|-----|
| SPZ 50-01 | 1 | 50 | 54 | 9 | 1008 | 25 | - | 37 | 26 | 12 | 25 | - | - |
| SPZ 56-01 | 1 | 56 | 60 | 9 | 1008 | 25 | - | 37 | 32 | 12 | 25 | - | - |
| SPZ 60-01 | 1 | 60 | 64 | 1 | 1008 | 25 | - | 22 | - | - | 22 | - | - |
| SPZ 63-01 | 1 | 63 | 67 | 1 | 1108 | 28 | - | 16 | - | - | 22 | 6 | 56 |
| SPZ 67-01 | 1 | 67 | 71 | 1 | 1108 | 28 | - | 16 | - | - | 22 | 6 | 60 |
| SPZ 71-01 | 1 | 71 | 75 | 1 | 1108 | 28 | - | 16 | - | - | 22 | 6 | 60 |
| SPZ 75-01 | 1 | 75 | 79 | 1 | 1108 | 28 | - | 16 | - | - | 22 | 6 | 60 |
| SPZ 80-01 | 1 | 80 | 84 | 1 | 1210 | 32 | - | 16 | - | - | 25 | 9 | 75 |
| SPZ 85-01 | 1 | 85 | 89 | 1 | 1210 | 32 | - | 16 | - | - | 25 | 9 | 80 |
| SPZ 90-01 | 1 | 90 | 94 | 1 | 1210 | 32 | - | 16 | - | - | 25 | 9 | 80 |
| SPZ 95-01 | 1 | 95 | 99 | 1 | 1210 | 32 | - | 16 | - | - | 25 | 9 | 85 |
| SPZ100-01 | 1 | 100 | 104 | 1 | 1210 | 32 | - | 16 | - | - | 25 | 9 | 85 |
| SPZ106-01 | 1 | 106 | 110 | 1 | 1610 | 42 | - | 16 | - | - | 25 | 9 | 92 |
| SPZ112-01 | 1 | 112 | 116 | 1 | 1610 | 42 | - | 16 | - | - | 25 | 9 | 92 |
| SPZ118-01 | 1 | 118 | 122 | 1 | 1610 | 42 | - | 16 | - | - | 25 | 9 | 92 |
| SPZ125-01 | 1 | 125 | 129 | 1 | 1610 | 42 | - | 16 | - | - | 25 | 9 | 92 |
| SPZ132-01 | 1 | 132 | 136 | 1 | 1610 | 42 | - | 16 | - | - | 25 | 9 | 92 |
| SPZ140-01 | 1 | 140 | 144 | 1 | 1610 | 42 | - | 16 | - | - | 25 | 9 | 92 |
| SPZ150-01 | 1 | 150 | 154 | 1 | 1610 | 42 | - | 16 | - | - | 25 | 9 | 92 |
| SPZ160-01 | 1 | 160 | 164 | 1 | 1610 | 42 | - | 16 | - | - | 25 | 9 | 92 |
| SPZ170-01 | 1 | 170 | 174 | 1 | 1610 | 42 | - | 16 | - | - | 25 | 9 | 92 |
| SPZ180-01 | 1 | 180 | 184 | 7 | 1610 | 42 | 6 | 16 | 152 | - | 25 | 9 | 92 |
| SPZ190-01 | 1 | 190 | 194 | 7 | 1610 | 42 | 12 | 16 | 162 | - | 25 | 9 | 92 |
| SPZ200-01 | 1 | 200 | 204 | 7 | 2012 | 50 | 10 | 16 | 171 | - | 32 | 16 | 112 |
| SPZ224-01 | 1 | 224 | 228 | 7 | 2012 | 50 | 15 | 16 | 195 | - | 32 | 16 | 112 |
| SPZ250-01 | 1 | 250 | 254 | 4 | 2012 | 50 | - | 16 | 221 | 8 | 32 | 8 | 112 |
| SPZ280-01 | 1 | 280 | 284 | 4 | 2012 | 50 | - | 16 | 251 | 8 | 32 | 8 | 112 |
| SPZ315-01 | 1 | 315 | 319 | 4 | 2012 | 50 | - | 16 | 286 | 8 | 32 | 8 | 112 |
| SPZ355-01 | 1 | 355 | 359 | 4 | 2012 | 50 | - | 16 | 326 | 8 | 32 | 8 | 112 |
| SPZ400-01 | 1 | 400 | 404 | 4 | 2012 | 50 | - | 16 | 371 | 8 | 32 | 8 | 112 |
| SPZ450-01 | 1 | 450 | 454 | 4 | 2517 | 60 | - | 16 | 421 | 14,5 | 45 | 14,5 | 124 |

Acciaio - Steel

Pulegge trapezoidali per bussola conica

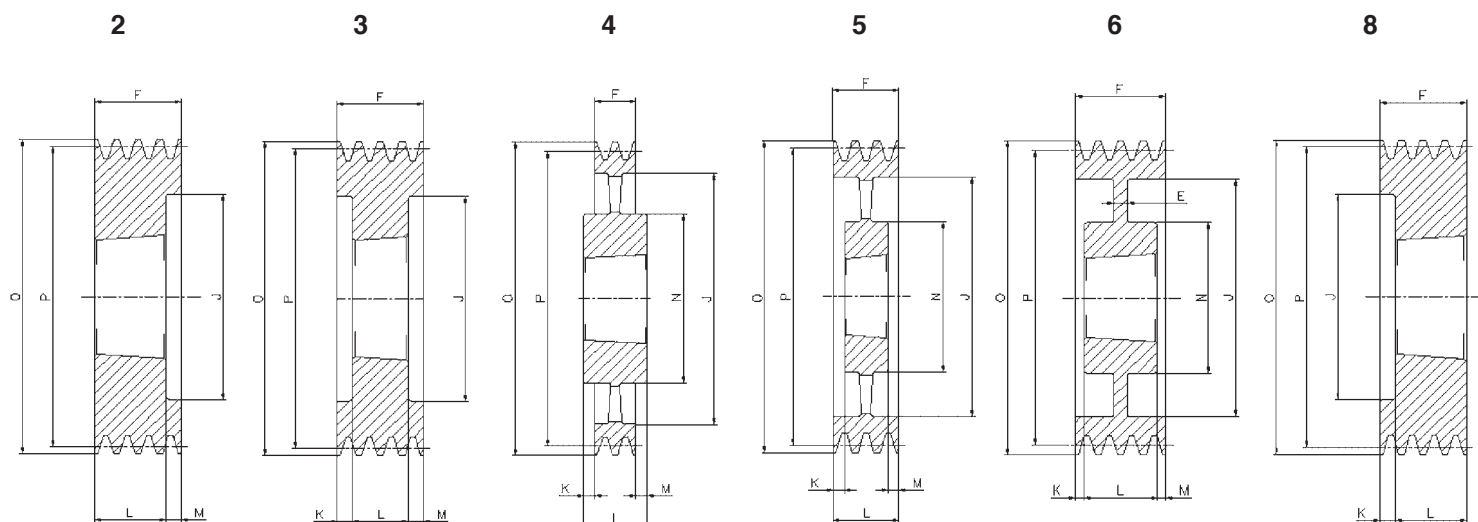


SPZ/2

| Tipo | Gole | P | O | Forma | Bussola | Ø MAX | E | F | J | K | L | M | N |
|-----------|------|-----|-----|-------|---------|-------|----|----|-----|-----|----|-----|-----|
| SPZ 50-02 | 2 | 50 | 54 | 9 | 1008 | 25 | - | 50 | 26 | 25 | 25 | - | - |
| SPZ 56-02 | 2 | 56 | 60 | 9 | 1008 | 25 | - | 49 | 32 | 27 | 22 | - | - |
| SPZ 60-02 | 2 | 60 | 64 | 9 | 1108 | 28 | - | 49 | 36 | 27 | 22 | - | - |
| SPZ 63-02 | 2 | 63 | 67 | 8 | 1108 | 28 | - | 28 | 40 | 6 | 22 | - | - |
| SPZ 67-02 | 2 | 67 | 71 | 8 | 1108 | 28 | - | 28 | 42 | 6 | 22 | - | - |
| SPZ 71-02 | 2 | 71 | 75 | 8 | 1108 | 28 | - | 28 | 42 | 6 | 22 | - | - |
| SPZ 75-02 | 2 | 75 | 79 | 8 | 1210 | 32 | - | 28 | 51 | 3 | 25 | - | - |
| SPZ 80-02 | 2 | 80 | 84 | 8 | 1210 | 32 | - | 28 | 51 | 3 | 25 | - | - |
| SPZ 85-02 | 2 | 85 | 89 | 8 | 1610 | 42 | - | 28 | 60 | 3 | 25 | - | - |
| SPZ 90-02 | 2 | 90 | 94 | 8 | 1610 | 42 | - | 28 | 61 | 3 | 25 | - | - |
| SPZ 95-02 | 2 | 95 | 99 | 8 | 1610 | 42 | - | 28 | 66 | 3 | 25 | - | - |
| SPZ100-02 | 2 | 100 | 104 | 8 | 1610 | 42 | - | 28 | 71 | 3 | 25 | - | - |
| SPZ106-02 | 2 | 106 | 110 | 8 | 1610 | 42 | - | 28 | 76 | 3 | 25 | - | - |
| SPZ112-02 | 2 | 112 | 116 | 8 | 1610 | 42 | - | 28 | 83 | 3 | 25 | - | - |
| SPZ118-02 | 2 | 118 | 122 | 8 | 1610 | 42 | - | 28 | 90 | 3 | 25 | - | - |
| SPZ125-02 | 2 | 125 | 129 | 8 | 1610 | 42 | - | 28 | 96 | 3 | 25 | - | - |
| SPZ132-02 | 2 | 132 | 136 | 8 | 1610 | 42 | - | 28 | 103 | 3 | 25 | - | - |
| SPZ140-02 | 2 | 140 | 144 | 8 | 1610 | 42 | - | 28 | 111 | 3 | 25 | - | - |
| SPZ150-02 | 2 | 150 | 154 | 1 | 2012 | 50 | - | 28 | - | - | 32 | 4 | 112 |
| SPZ160-02 | 2 | 160 | 164 | 1 | 2012 | 50 | - | 28 | - | - | 32 | 4 | 112 |
| SPZ170-02 | 2 | 170 | 174 | 1 | 2012 | 50 | - | 28 | - | - | 32 | 4 | 112 |
| SPZ180-02 | 2 | 180 | 184 | 7 | 2012 | 50 | 6 | 28 | 152 | - | 32 | 4 | 112 |
| SPZ190-02 | 2 | 190 | 194 | 7 | 2012 | 50 | 12 | 28 | 162 | - | 32 | 4 | 112 |
| SPZ200-02 | 2 | 200 | 204 | 7 | 2012 | 50 | 6 | 28 | 171 | - | 32 | 4 | 112 |
| SPZ224-02 | 2 | 224 | 228 | 4 | 2012 | 50 | 15 | 28 | 195 | - | 32 | 4 | 112 |
| SPZ250-02 | 2 | 250 | 254 | 4 | 2012 | 50 | - | 28 | 221 | 2 | 32 | 2 | 112 |
| SPZ280-02 | 2 | 280 | 284 | 4 | 2012 | 50 | - | 28 | 251 | 2 | 32 | 2 | 112 |
| SPZ315-02 | 2 | 315 | 319 | 4 | 2012 | 50 | - | 28 | 286 | 2 | 32 | 2 | 112 |
| SPZ355-02 | 2 | 355 | 359 | 4 | 2012 | 50 | - | 28 | 326 | 2 | 32 | 2 | 112 |
| SPZ400-02 | 2 | 400 | 404 | 4 | 2517 | 60 | - | 28 | 371 | 8,5 | 45 | 8,5 | 124 |
| SPZ450-02 | 2 | 450 | 454 | 4 | 2517 | 60 | - | 28 | 421 | 8,5 | 45 | 8,5 | 124 |

Acciaio - Steel

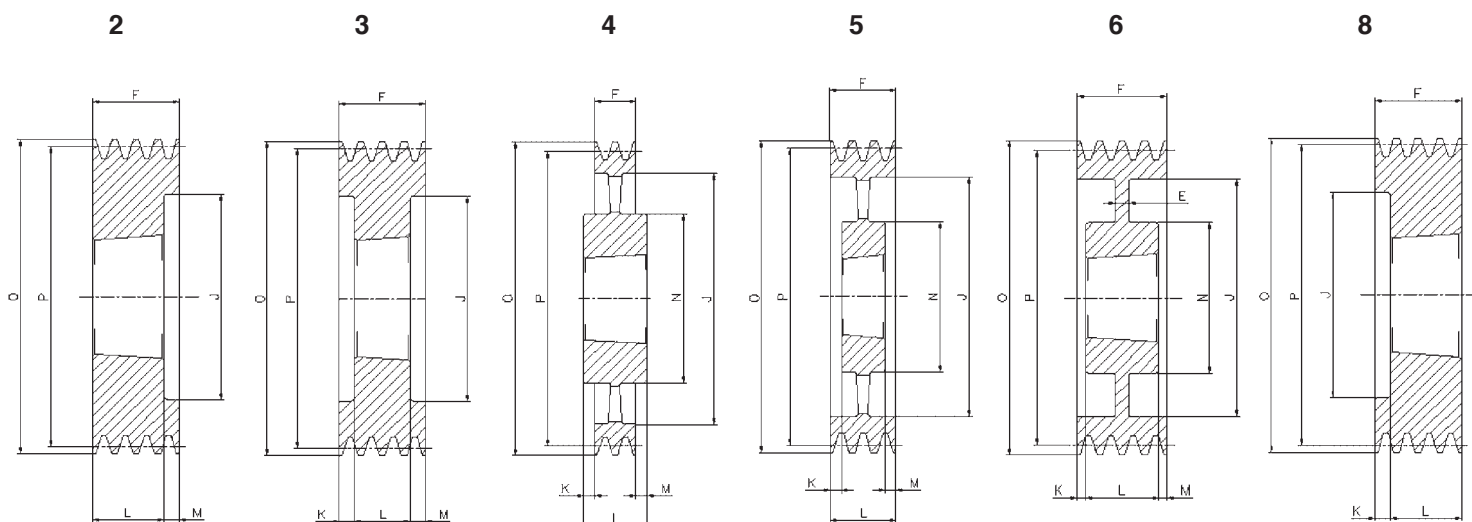
Pulegge trapezoidali per bussola conica



SPZ/3

| Tipo | Gole | P | O | Forma | Bussola | \emptyset MAX | E | F | J | K | L | M | N |
|-----------|------|-----|-----|-------|---------|-----------------|----|----|-----|-----|----|-----|-----|
| SPZ63-03 | 3 | 63 | 67 | 8 | 1108 | 28 | - | 40 | 40 | | 22 | - | - |
| SPZ67-03 | 3 | 67 | 71 | 8 | 1108 | 28 | - | 40 | 42 | 18 | 22 | - | - |
| SPZ71-03 | 3 | 71 | 75 | 8 | 1108 | 28 | - | 40 | 42 | 18 | 22 | - | - |
| SPZ75-03 | 3 | 75 | 79 | 8 | 1210 | 32 | - | 40 | 51 | 15 | 25 | - | - |
| SPZ80-03 | 3 | 80 | 84 | 8 | 1210 | 32 | - | 40 | 51 | 15 | 25 | - | - |
| SPZ85-03 | 3 | 85 | 89 | 8 | 1610 | 42 | - | 40 | 60 | 15 | 25 | - | - |
| SPZ90-03 | 3 | 90 | 94 | 8 | 1610 | 42 | - | 40 | 61 | 15 | 25 | - | - |
| SPZ95-03 | 3 | 95 | 99 | 8 | 1610 | 42 | - | 40 | 66 | 15 | 25 | - | - |
| SPZ100-03 | 3 | 100 | 104 | 8 | 1610 | 42 | - | 40 | 71 | 15 | 25 | - | - |
| SPZ106-03 | 3 | 106 | 110 | 8 | 1610 | 42 | - | 40 | 76 | 15 | 25 | - | - |
| SPZ112-03 | 3 | 112 | 116 | 8 | 2012 | 50 | - | 40 | 83 | 8 | 32 | - | - |
| SPZ118-03 | 3 | 118 | 122 | 8 | 2012 | 50 | - | 40 | 90 | 8 | 32 | - | - |
| SPZ125-03 | 3 | 125 | 129 | 2 | 2012 | 50 | - | 40 | 96 | - | 32 | 8 | - |
| SPZ132-03 | 3 | 132 | 136 | 2 | 2012 | 50 | - | 40 | 103 | - | 32 | 8 | - |
| SPZ140-03 | 3 | 140 | 144 | 2 | 2012 | 50 | - | 40 | 111 | - | 32 | 8 | - |
| SPZ150-03 | 3 | 150 | 154 | 2 | 2012 | 50 | - | 40 | 121 | - | 32 | 8 | - |
| SPZ160-03 | 3 | 160 | 164 | 2 | 2012 | 50 | - | 40 | 131 | - | 32 | 8 | - |
| SPZ170-03 | 3 | 170 | 174 | 3 | 2012 | 50 | - | 40 | 141 | 4 | 32 | 4 | - |
| SPZ180-03 | 3 | 180 | 184 | 6 | 2012 | 50 | 7 | 40 | 151 | - | 32 | 8 | 106 |
| SPZ190-03 | 3 | 190 | 194 | 6 | 2012 | 50 | 10 | 40 | 161 | 4 | 32 | 4 | 112 |
| SPZ200-03 | 3 | 200 | 204 | 6 | 2012 | 50 | 10 | 40 | 171 | 4 | 32 | 4 | 112 |
| SPZ224-03 | 3 | 224 | 228 | 6 | 2012 | 50 | 12 | 40 | 195 | 4 | 32 | 4 | 112 |
| SPZ250-03 | 3 | 250 | 254 | 5 | 2012 | 50 | - | 40 | 221 | 4 | 32 | 4 | 112 |
| SPZ280-03 | 3 | 280 | 284 | 4 | 2517 | 60 | - | 40 | 251 | 2,5 | 45 | 2,5 | 124 |
| SPZ315-03 | 3 | 315 | 319 | 4 | 2517 | 60 | - | 40 | 286 | 2,5 | 45 | 2,5 | 124 |
| SPZ355-03 | 3 | 355 | 359 | 4 | 2517 | 60 | - | 40 | 326 | 2,5 | 45 | 2,5 | 124 |
| SPZ400-03 | 3 | 400 | 404 | 4 | 2517 | 60 | - | 40 | 371 | 2,5 | 45 | 2,5 | 124 |
| SPZ450-03 | 3 | 450 | 454 | 4 | 2517 | 60 | - | 40 | 421 | 2,5 | 45 | 2,5 | 124 |
| SPZ500-03 | 3 | 500 | 504 | 4 | 2517 | 60 | - | 40 | 471 | 2,5 | 45 | 2,5 | 124 |
| SPZ630-03 | 3 | 630 | 634 | 4 | 3020 | 75 | - | 40 | 601 | 5,5 | 51 | 5,5 | 150 |
| SPZ800-03 | 3 | 800 | 804 | 4 | 3020 | 75 | - | 40 | 771 | 5,5 | 51 | 5,5 | 146 |

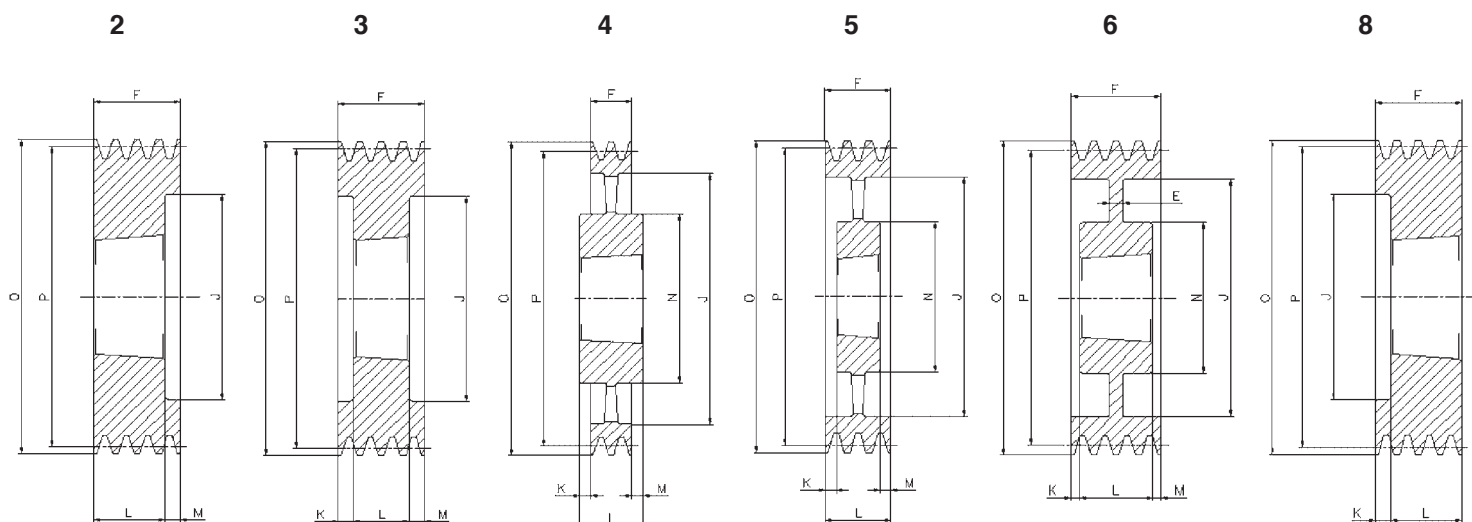
Pullegge trapezoidali per bussola conica



SPZ/4

| Tipo | Gole | P | O | Forma | Bussola | Ø MAX | E | F | J | K | L | M | N |
|-----------|------|-----|-----|-------|---------|-------|----|----|-----|-----|----|-----|-----|
| SPZ 80-04 | 4 | 80 | 84 | 8 | 1210 | 32 | - | 52 | 51 | 27 | 25 | - | - |
| SPZ 85-04 | 4 | 85 | 89 | 8 | 1610 | 42 | - | 52 | 60 | 27 | 25 | - | - |
| SPZ 90-04 | 4 | 90 | 94 | 8 | 1610 | 42 | - | 52 | 61 | 27 | 25 | - | - |
| SPZ 95-04 | 4 | 95 | 99 | 8 | 1610 | 42 | - | 52 | 66 | 27 | 25 | - | - |
| SPZ100-04 | 4 | 100 | 104 | 8 | 1610 | 42 | - | 52 | 71 | 27 | 25 | - | - |
| SPZ106-04 | 4 | 106 | 110 | 8 | 1610 | 42 | - | 52 | 76 | 27 | 25 | - | - |
| SPZ112-04 | 4 | 112 | 116 | 8 | 2012 | 50 | - | 52 | 83 | 20 | 32 | - | - |
| SPZ118-04 | 4 | 118 | 122 | 8 | 2012 | 50 | - | 52 | 90 | 20 | 32 | - | - |
| SPZ125-04 | 4 | 125 | 129 | 2 | 2012 | 50 | - | 52 | 96 | - | 32 | 20 | - |
| SPZ132-04 | 4 | 132 | 136 | 2 | 2012 | 50 | - | 52 | 103 | - | 32 | 20 | - |
| SPZ140-04 | 4 | 140 | 144 | 2 | 2012 | 50 | - | 52 | 111 | - | 32 | 20 | - |
| SPZ150-04 | 4 | 150 | 154 | 2 | 2517 | 60 | - | 52 | 121 | - | 45 | 7 | - |
| SPZ160-04 | 4 | 160 | 164 | 2 | 2517 | 60 | - | 52 | 131 | - | 45 | 7 | - |
| SPZ170-04 | 4 | 170 | 174 | 2 | 2517 | 60 | - | 52 | 141 | - | 45 | 7 | - |
| SPZ180-04 | 4 | 180 | 184 | 2 | 2517 | 60 | - | 52 | 151 | - | 45 | 7 | - |
| SPZ190-04 | 4 | 190 | 194 | 3 | 2517 | 60 | - | 52 | 161 | 3,5 | 45 | 3,5 | - |
| SPZ200-04 | 4 | 200 | 204 | 6 | 2517 | 60 | 8 | 52 | 171 | 3,5 | 45 | 3,5 | 124 |
| SPZ224-04 | 4 | 224 | 228 | 6 | 2517 | 60 | 14 | 52 | 195 | 3,5 | 45 | 3,5 | 124 |
| SPZ250-04 | 4 | 250 | 254 | 6 | 2517 | 60 | 12 | 52 | 221 | 3,5 | 45 | 3,5 | 124 |
| SPZ280-04 | 4 | 280 | 284 | 6 | 2517 | 60 | 14 | 52 | 251 | 3,5 | 45 | 3,5 | 124 |
| SPZ315-04 | 4 | 315 | 319 | 5 | 2517 | 60 | - | 52 | 286 | 3,5 | 45 | 3,5 | 124 |
| SPZ355-04 | 4 | 355 | 359 | 5 | 2517 | 60 | - | 52 | 326 | 3,5 | 45 | 3,5 | 124 |
| SPZ400-04 | 4 | 400 | 404 | 5 | 2517 | 60 | - | 52 | 371 | 3,5 | 45 | 3,5 | 124 |
| SPZ450-04 | 4 | 450 | 454 | 5 | 3020 | 75 | - | 52 | 421 | 0,5 | 51 | 0,5 | 146 |
| SPZ500-04 | 4 | 500 | 504 | 5 | 3020 | 75 | - | 52 | 471 | 0,5 | 51 | 0,5 | 146 |
| SPZ630-04 | 4 | 630 | 634 | 4 | 3030 | 75 | - | 52 | 601 | 12 | 76 | 12 | 146 |
| SPZ800-04 | 4 | 800 | 804 | 4 | 3030 | 75 | - | 52 | 771 | 12 | 76 | 12 | 146 |

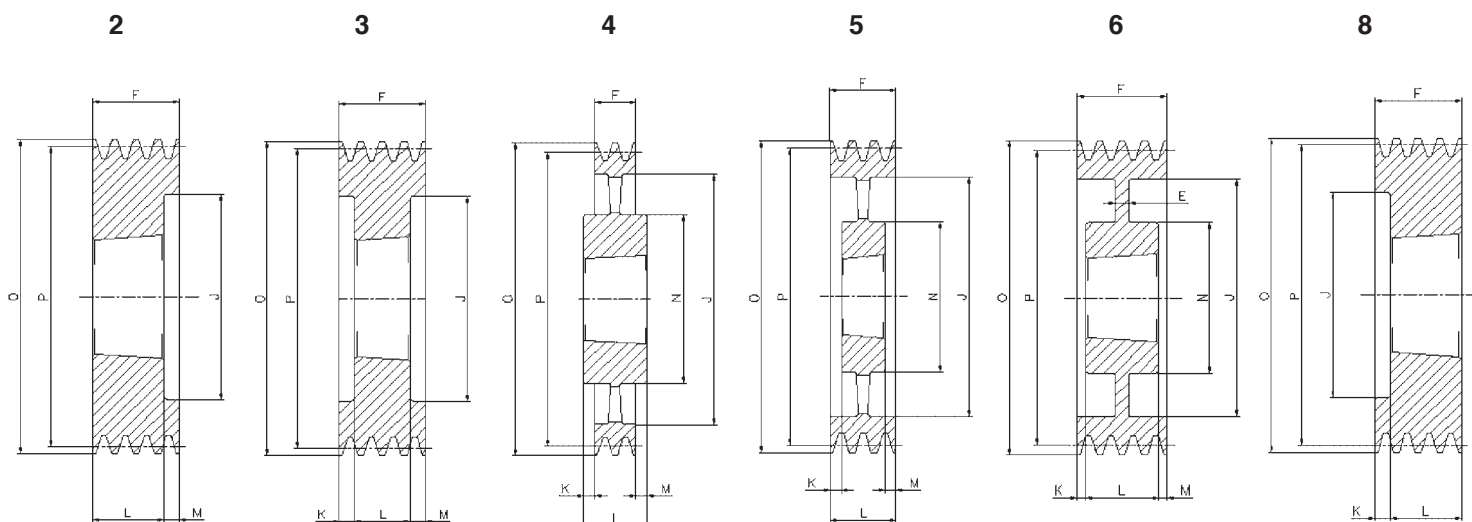
Pullegge trapezoidali per bussola conica



SPZ/5

| Tipo | Gole | P | O | Forma | Bussola | Ø MAX | E | F | J | K | L | M | N |
|-----------|------|-----|-----|-------|---------|-------|----|----|-----|------|----|------|-----|
| SPZ 85-05 | 5 | 85 | 89 | 8 | 1610 | 42 | - | 64 | 60 | 39 | 25 | - | - |
| SPZ 90-05 | 5 | 90 | 94 | 8 | 1610 | 42 | - | 64 | 61 | 39 | 25 | - | - |
| SPZ 95-05 | 5 | 95 | 99 | 8 | 1610 | 42 | - | 64 | 66 | 39 | 25 | - | - |
| SPZ100-05 | 5 | 100 | 104 | 8 | 2012 | 50 | - | 64 | 71 | 32 | 32 | - | - |
| SPZ106-05 | 5 | 106 | 110 | 8 | 2012 | 50 | - | 64 | 76 | 32 | 32 | - | - |
| SPZ112-05 | 5 | 112 | 116 | 8 | 2012 | 50 | - | 64 | 83 | 32 | 32 | - | - |
| SPZ118-05 | 5 | 118 | 122 | 8 | 2012 | 50 | - | 64 | 90 | 32 | 32 | - | - |
| SPZ125-05 | 5 | 125 | 129 | 8 | 2012 | 50 | - | 64 | 96 | 32 | 32 | - | - |
| SPZ132-05 | 5 | 132 | 136 | 8 | 2517 | 60 | - | 64 | 103 | 19 | 45 | 19 | - |
| SPZ140-05 | 5 | 140 | 144 | 2 | 2517 | 60 | - | 64 | 111 | - | 45 | 19 | - |
| SPZ150-05 | 5 | 150 | 154 | 2 | 2517 | 60 | - | 64 | 121 | - | 45 | 19 | - |
| SPZ160-05 | 5 | 160 | 164 | 2 | 2517 | 60 | - | 64 | 131 | - | 45 | 19 | - |
| SPZ170-05 | 5 | 170 | 174 | 2 | 2517 | 60 | - | 64 | 141 | - | 45 | 19 | - |
| SPZ180-05 | 5 | 180 | 184 | 2 | 2517 | 60 | - | 64 | 151 | - | 45 | 19 | - |
| SPZ190-05 | 5 | 190 | 194 | 3 | 2517 | 60 | - | 64 | 161 | 9,5 | 45 | 9,5 | - |
| SPZ200-05 | 5 | 200 | 204 | 3 | 2517 | 60 | - | 64 | 171 | 9,5 | 45 | 9,5 | - |
| SPZ224-05 | 5 | 224 | 228 | 6 | 2517 | 60 | 20 | 64 | 195 | 9,5 | 45 | 9,5 | 124 |
| SPZ250-05 | 5 | 250 | 254 | 6 | 2517 | 60 | 16 | 64 | 221 | 9,5 | 45 | 9,5 | 124 |
| SPZ280-05 | 5 | 280 | 284 | 6 | 2517 | 60 | 15 | 64 | 251 | 9,5 | 45 | 9,5 | 124 |
| SPZ315-05 | 5 | 315 | 319 | 5 | 2517 | 60 | - | 64 | 286 | 9,5 | 45 | 9,5 | 124 |
| SPZ355-05 | 5 | 355 | 359 | 5 | 2517 | 60 | - | 64 | 326 | 9,5 | 45 | 9,5 | 124 |
| SPZ400-05 | 5 | 400 | 404 | 5 | 3020 | 75 | - | 64 | 371 | 6,5 | 51 | 6,5 | 146 |
| SPZ450-05 | 5 | 450 | 454 | 5 | 3020 | 75 | - | 64 | 421 | 6,5 | 51 | 6,5 | 146 |
| SPZ500-05 | 5 | 500 | 504 | 4 | 3030 | 75 | - | 64 | 471 | 6 | 76 | 6 | 146 |
| SPZ630-05 | 5 | 630 | 634 | 4 | 3030 | 75 | - | 64 | 601 | 6 | 76 | 6 | 146 |
| SPZ800-05 | 5 | 800 | 804 | 4 | 3535 | 90 | - | 64 | 771 | 12,5 | 89 | 12,5 | 178 |

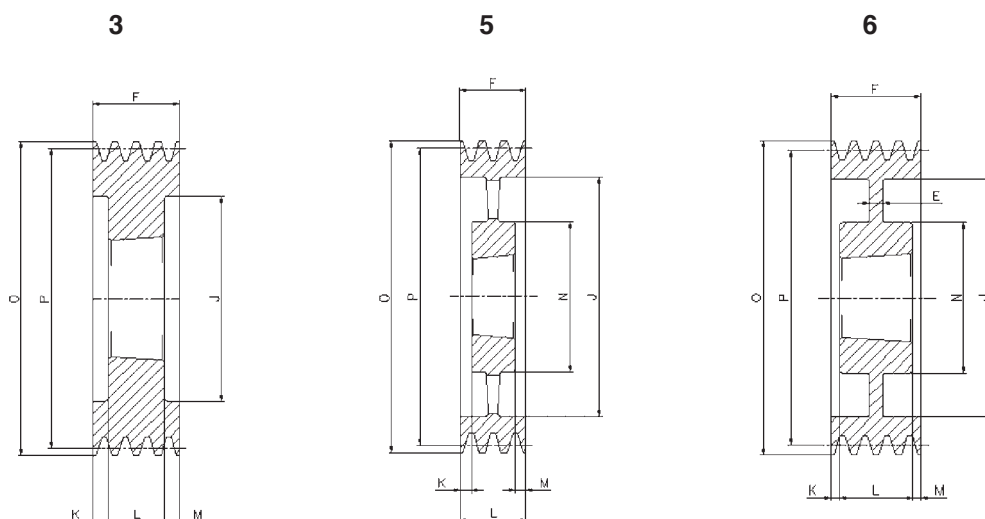
Pullegge trapezoidali per bussola conica



SPZ/6

| Tipo | Gole | P | O | Forma | Bussola | \emptyset MAX | E | F | J | K | L | M | N |
|-----------|------|-----|-----|-------|---------|-----------------|----|----|-----|------|----|------|-----|
| SPZ 90-06 | 6 | 90 | 94 | 8 | 1610 | 42 | - | 76 | 61 | 51 | 25 | - | - |
| SPZ 95-06 | 6 | 95 | 99 | 8 | 1610 | 42 | - | 76 | 66 | 51 | 25 | - | - |
| SPZ100-06 | 6 | 100 | 104 | 8 | 2012 | 50 | - | 76 | 71 | 44 | 32 | - | - |
| SPZ106-06 | 6 | 106 | 110 | 8 | 2012 | 50 | - | 76 | 76 | 44 | 32 | - | - |
| SPZ112-06 | 6 | 112 | 116 | 8 | 2012 | 50 | - | 76 | 83 | 44 | 32 | - | - |
| SPZ118-06 | 6 | 118 | 122 | 8 | 2517 | 60 | - | 76 | 90 | 31 | 45 | - | - |
| SPZ125-06 | 6 | 125 | 129 | 8 | 2517 | 60 | - | 76 | 96 | 31 | 45 | - | - |
| SPZ132-06 | 6 | 132 | 136 | 8 | 2517 | 60 | - | 76 | 103 | 31 | 45 | - | - |
| SPZ140-06 | 6 | 140 | 144 | 2 | 2517 | 60 | - | 76 | 111 | - | 45 | 31 | - |
| SPZ150-06 | 6 | 150 | 154 | 2 | 2517 | 60 | - | 76 | 121 | - | 45 | 31 | - |
| SPZ160-06 | 6 | 160 | 164 | 2 | 2517 | 60 | - | 76 | 131 | - | 45 | 31 | - |
| SPZ170-06 | 6 | 170 | 174 | 2 | 2517 | 60 | - | 76 | 141 | - | 45 | 31 | - |
| SPZ180-06 | 6 | 180 | 184 | 3 | 2517 | 60 | - | 76 | 151 | 15,5 | 45 | 15,5 | - |
| SPZ190-06 | 6 | 190 | 194 | 3 | 2517 | 60 | - | 76 | 161 | 15,5 | 45 | 15,5 | 124 |
| SPZ200-06 | 6 | 200 | 204 | 3 | 2517 | 60 | - | 76 | 171 | 15,5 | 45 | 15,5 | 124 |
| SPZ224-06 | 6 | 224 | 228 | 6 | 2517 | 60 | 26 | 76 | 195 | 15,5 | 45 | 15,5 | 124 |
| SPZ250-06 | 6 | 250 | 254 | 6 | 2517 | 60 | 26 | 76 | 221 | 15,5 | 45 | 15,5 | 124 |
| SPZ280-06 | 6 | 280 | 284 | 6 | 2517 | 60 | 15 | 76 | 251 | 15,5 | 45 | 15,5 | 124 |
| SPZ315-06 | 6 | 315 | 319 | 6 | 2517 | 60 | 15 | 76 | 286 | 15,5 | 45 | 15,5 | 124 |
| SPZ355-06 | 6 | 355 | 359 | 5 | 2517 | 60 | - | 76 | 326 | 15,5 | 45 | 15,5 | 124 |
| SPZ400-06 | 6 | 400 | 404 | 5 | 3030 | 75 | - | 76 | 371 | - | 76 | - | 146 |
| SPZ450-06 | 6 | 450 | 454 | 5 | 3030 | 75 | - | 76 | 421 | - | 76 | - | 146 |
| SPZ500-06 | 6 | 500 | 504 | 5 | 3030 | 75 | - | 76 | 471 | - | 76 | - | 146 |
| SPZ630-06 | 6 | 630 | 634 | 4 | 3535 | 90 | - | 76 | 601 | 6,5 | 89 | 6,5 | 175 |
| SPZ800-06 | 6 | 800 | 804 | 4 | 3535 | 90 | - | 76 | 771 | 6,5 | 89 | 6,5 | 178 |

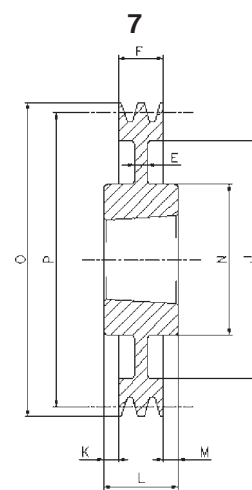
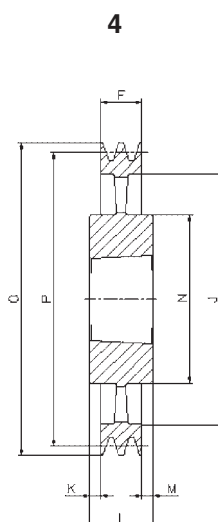
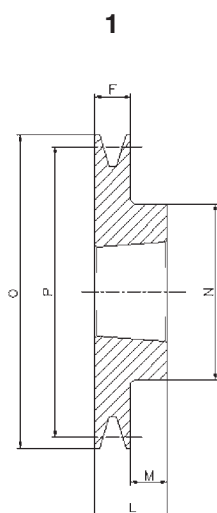
Pullegge trapezoidali per bussola conica



SPZ/8

| Tipo | Gole | P | O | Forma | Bussola | \emptyset MAX | E | F | J | K | L | M | N |
|-----------|------|-----|-----|-------|---------|--------------------|----|-----|-----|------|----|------|-----|
| SPZ140-08 | 8 | 140 | 144 | 3 | 2517 | 60 | - | 100 | 111 | 27,5 | 45 | 27,5 | - |
| SPZ150-08 | 8 | 150 | 154 | 3 | 2517 | 60 | - | 100 | 121 | 27,5 | 45 | 27,5 | - |
| SPZ160-08 | 8 | 160 | 164 | 3 | 2517 | 60 | - | 100 | 131 | 27,5 | 45 | 27,5 | - |
| SPZ180-08 | 8 | 180 | 184 | 3 | 2517 | 60 | - | 100 | 151 | 27,5 | 45 | 27,5 | - |
| SPZ200-08 | 8 | 200 | 204 | 3 | 3020 | 75 | - | 100 | 171 | 24,5 | 51 | 24,5 | - |
| SPZ224-08 | 8 | 224 | 228 | 3 | 3020 | 75 | - | 100 | 195 | 24,5 | 51 | 24,5 | - |
| SPZ250-08 | 8 | 250 | 254 | 6 | 3020 | 75 | 20 | 100 | 221 | 24,5 | 51 | 24,5 | 146 |
| SPZ280-08 | 8 | 280 | 284 | 6 | 3020 | 75 | 20 | 100 | 251 | 24,5 | 51 | 24,5 | 146 |
| SPZ355-08 | 8 | 355 | 359 | 5 | 3030 | 75 | - | 100 | 326 | 12 | 76 | 12 | 146 |
| SPZ400-08 | 8 | 400 | 404 | 5 | 3030 | 75 | - | 100 | 371 | 12 | 76 | 12 | 146 |
| SPZ450-08 | 8 | 450 | 454 | 5 | 3535 | 90 | - | 100 | 421 | 5,5 | 89 | 5,5 | 175 |

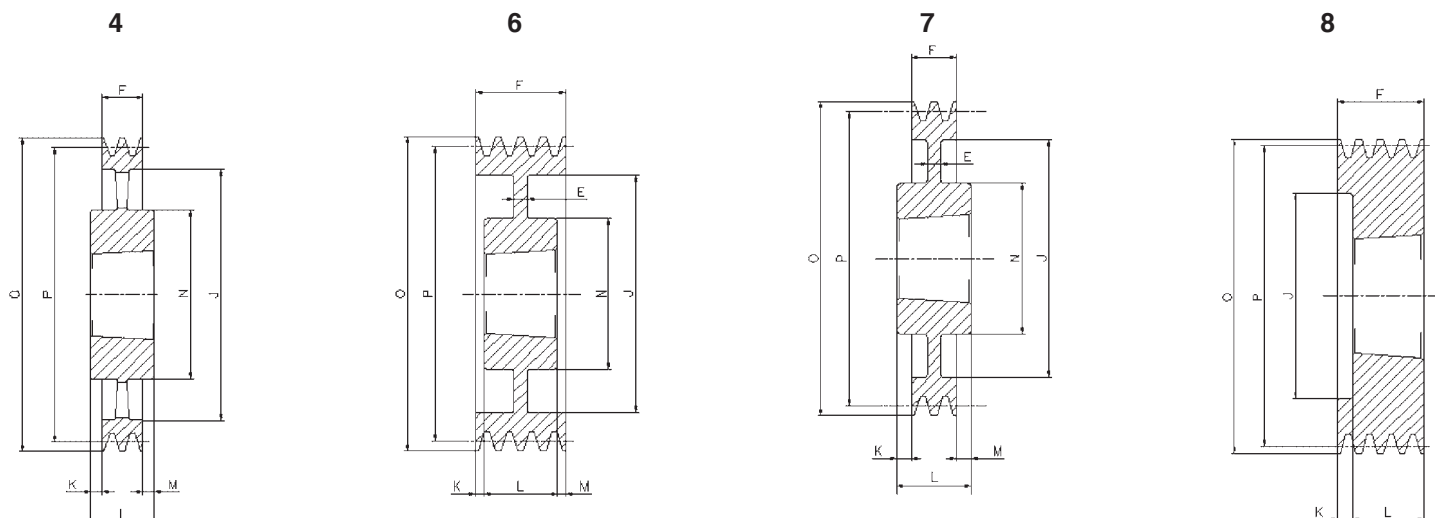
Pullegge trapezoidali per bussola conica



SPA/1

| Tipo | Gole | P | O | Forma | Bussola | Ø MAX | E | F | J | K | L | M | N |
|-----------|------|-----|-------|-------|---------|----------|----|----|-----|---|----|----|-----|
| SPA 63-01 | 1 | 63 | 68,5 | 1 | 1008 | 25 | - | 20 | - | - | 22 | 2 | 56 |
| SPA 67-01 | 1 | 67 | 72,5 | 1 | 1108 | 28 | - | 20 | - | - | 22 | 2 | 56 |
| SPA 71-01 | 1 | 71 | 76,5 | 1 | 1108 | 28 | - | 20 | - | - | 22 | 2 | 60 |
| SPA 75-01 | 1 | 75 | 80,5 | 1 | 1108 | 28 | - | 20 | - | - | 22 | 2 | 56 |
| SPA 80-01 | 1 | 80 | 85,5 | 1 | 1210 | 32 | - | 20 | - | - | 25 | 5 | 75 |
| SPA 85-01 | 1 | 85 | 90,5 | 1 | 1210 | 32 | - | 20 | - | - | 25 | 5 | 80 |
| SPA 90-01 | 1 | 90 | 95,5 | 1 | 1210 | 32 | - | 20 | - | - | 25 | 5 | 80 |
| SPA 95-01 | 1 | 95 | 100,5 | 1 | 1210 | 32 | - | 20 | - | - | 25 | 5 | 85 |
| SPA100-01 | 1 | 100 | 105,5 | 1 | 1610 | 42 | - | 20 | - | - | 25 | 5 | 85 |
| SPA106-01 | 1 | 106 | 111,5 | 1 | 1610 | 42 | - | 20 | - | - | 25 | 5 | 92 |
| SPA112-01 | 1 | 112 | 117,5 | 1 | 1610 | 42 | - | 20 | - | - | 25 | 5 | 92 |
| SPA118-01 | 1 | 118 | 123,5 | 1 | 1610 | 42 | - | 20 | - | - | 25 | 5 | 92 |
| SPA125-01 | 1 | 125 | 130,5 | 1 | 1610 | 42 | - | 20 | - | - | 25 | 5 | 92 |
| SPA132-01 | 1 | 132 | 137,5 | 1 | 1610 | 42 | - | 20 | - | - | 25 | 5 | 92 |
| SPA140-01 | 1 | 140 | 145,5 | 1 | 1610 | 42 | - | 20 | - | - | 25 | 5 | 92 |
| SPA150-01 | 1 | 150 | 155,5 | 1 | 1610 | 42 | - | 20 | - | - | 25 | 5 | 92 |
| SPA160-01 | 1 | 160 | 165,5 | 1 | 1610 | 42 | - | 20 | - | - | 25 | 5 | 92 |
| SPA170-01 | 1 | 170 | 175,5 | 1 | 1610 | 42 | - | 20 | - | - | 25 | 5 | 92 |
| SPA180-01 | 1 | 180 | 185,5 | 7 | 1610 | 42 | 6 | 20 | 145 | - | 25 | 5 | 92 |
| SPA190-01 | 1 | 190 | 195,5 | 7 | 1610 | 42 | 6 | 20 | 156 | - | 25 | 5 | 92 |
| SPA200-01 | 1 | 200 | 205,5 | 7 | 2012 | 50 | 6 | 20 | 165 | - | 32 | 12 | 108 |
| SPA212-01 | 1 | 212 | 217,5 | 7 | 2012 | 50 | 10 | 20 | 177 | - | 32 | 12 | 110 |
| SPA224-01 | 1 | 224 | 229,5 | 7 | 2012 | 50 | 10 | 20 | 189 | - | 32 | 12 | 112 |
| SPA236-01 | 1 | 236 | 241,5 | 7 | 2012 | 50 | 10 | 20 | 202 | - | 32 | 12 | 112 |
| SPA250-01 | 1 | 250 | 255,5 | 7 | 2012 | 50 | 10 | 20 | 215 | 6 | 32 | 6 | 112 |
| SPA280-01 | 1 | 280 | 285,5 | 7 | 2012 | 50 | 10 | 20 | 245 | - | 32 | 12 | 112 |
| SPA315-01 | 1 | 315 | 320,5 | 7 | 2012 | 50 | 12 | 20 | 280 | - | 32 | 12 | 112 |
| SPA355-01 | 1 | 355 | 360,5 | 4 | 2012 | 50 | - | 20 | 320 | - | 32 | 12 | 112 |
| SPA400-01 | 1 | 400 | 405,5 | 4 | 2012 | 50 | - | 20 | 365 | - | 32 | 12 | 112 |
| SPA450-01 | 1 | 450 | 455,5 | 4 | 2012 | 50 | - | 20 | 415 | - | 32 | 12 | 112 |
| SPA500-01 | 1 | 500 | 505,5 | 4 | 2517 | 60 | - | 20 | 465 | - | 45 | 25 | 124 |
| SPA630-01 | 1 | 630 | 635,5 | 4 | 2517 | 60 | - | 20 | 595 | - | 45 | 25 | 124 |

Pulegge trapezoidali per bussola conica

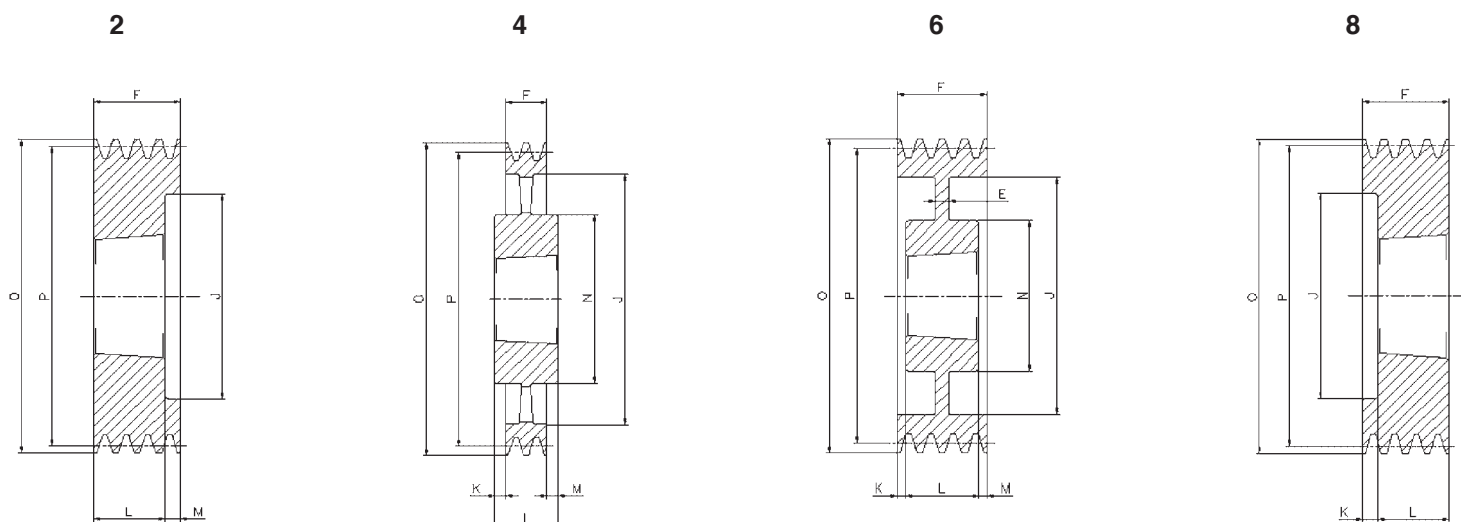


SPA/2

| Tipo | Gole | P | O | Forma | Bussola | Ø MAX | E | F | J | K | L | M | N |
|-----------|------|-----|-------|-------|---------|-------|----|----|------|-----|----|-----|-----|
| SPA 63-02 | 2 | 63 | 68,5 | 8 | 1008 | 28 | - | 35 | 32,5 | 13 | 22 | - | - |
| SPA 67-02 | 2 | 67 | 72,5 | 8 | 1108 | 28 | - | 35 | 37 | 13 | 22 | - | - |
| SPA 71-02 | 2 | 71 | 76,5 | 8 | 1108 | 28 | - | 35 | 40 | 13 | 22 | - | - |
| SPA 75-02 | 2 | 75 | 80,5 | 8 | 1108 | 28 | - | 35 | 44 | 13 | 22 | - | - |
| SPA 80-02 | 2 | 80 | 85,5 | 8 | 1210 | 32 | - | 35 | 50 | 10 | 25 | - | - |
| SPA 85-02 | 2 | 85 | 90,5 | 8 | 1210 | 32 | - | 35 | 55 | 10 | 25 | - | - |
| SPA 90-02 | 2 | 90 | 95,5 | 8 | 1610 | 42 | - | 35 | 59 | 10 | 25 | - | - |
| SPA 95-02 | 2 | 95 | 100,5 | 8 | 1610 | 42 | - | 35 | 63 | 10 | 25 | - | - |
| SPA100-02 | 2 | 100 | 105,5 | 8 | 1610 | 42 | - | 35 | 66 | 10 | 25 | - | - |
| SPA106-02 | 2 | 106 | 111,5 | 8 | 1610 | 42 | - | 35 | 72 | 10 | 25 | - | - |
| SPA112-02 | 2 | 112 | 117,5 | 8 | 1610 | 42 | - | 35 | 78 | 10 | 25 | - | - |
| SPA118-02 | 2 | 118 | 123,5 | 8 | 1610 | 42 | - | 35 | 84 | 10 | 25 | - | - |
| SPA125-02 | 2 | 125 | 130,5 | 8 | 1610 | 42 | - | 35 | 91 | 10 | 25 | - | - |
| SPA132-02 | 2 | 132 | 137,5 | 8 | 2012 | 50 | - | 35 | 98 | 3 | 32 | - | - |
| SPA140-02 | 2 | 140 | 145,5 | 8 | 2012 | 50 | - | 35 | 106 | 3 | 32 | - | - |
| SPA150-02 | 2 | 150 | 155,5 | 8 | 2012 | 50 | - | 35 | 116 | 3 | 32 | - | - |
| SPA160-02 | 2 | 160 | 165,5 | 8 | 2012 | 50 | - | 35 | 125 | 3 | 32 | - | - |
| SPA170-02 | 2 | 170 | 175,5 | 8 | 2012 | 50 | - | 35 | 135 | 3 | 32 | - | - |
| SPA180-02 | 2 | 180 | 185,5 | 6 | 2012 | 50 | 10 | 35 | 146 | 1,5 | 32 | 1,5 | 108 |
| SPA190-02 | 2 | 190 | 195,5 | 6 | 2012 | 50 | 10 | 35 | 156 | 1,5 | 32 | 1,5 | 108 |
| SPA200-02 | 2 | 200 | 205,5 | 7 | 2517 | 60 | 10 | 35 | 165 | 5 | 45 | 5 | 123 |
| SPA212-02 | 2 | 212 | 217,5 | 7 | 2517 | 60 | 18 | 35 | 177 | 5 | 45 | 5 | 123 |
| SPA224-02 | 2 | 224 | 229,5 | 7 | 2517 | 60 | 18 | 35 | 189 | - | 45 | 10 | 124 |
| SPA236-02 | 2 | 236 | 241,5 | 7 | 2517 | 60 | 12 | 35 | 202 | - | 45 | 10 | 124 |
| SPA250-02 | 2 | 250 | 255,5 | 7 | 2517 | 60 | 12 | 35 | 215 | 5 | 45 | 5 | 124 |
| SPA280-02 | 2 | 280 | 285,5 | 7 | 2517 | 60 | 12 | 35 | 245 | - | 45 | 10 | 124 |
| SPA315-02 | 2 | 315 | 320,5 | 7 | 2517 | 60 | 12 | 35 | 280 | - | 45 | 10 | 124 |
| SPA355-02 | 2 | 355 | 360,5 | 4 | 2517 | 60 | - | 35 | 320 | - | 45 | 10 | 124 |
| SPA400-02 | 2 | 400 | 405,5 | 4 | 2517 | 60 | - | 35 | 365 | - | 45 | 10 | 124 |
| SPA450-02 | 2 | 450 | 455,5 | 4 | 2517 | 60 | - | 35 | 465 | - | 45 | 10 | 124 |
| SPA500-02 | 2 | 500 | 505,5 | 4 | 2517 | 60 | - | 35 | 525 | - | 45 | 10 | 125 |
| SPA630-02 | 2 | 630 | 635,5 | 4 | 3020 | 75 | - | 35 | 595 | 8 | 51 | 18 | 159 |

Acciaio - Steel

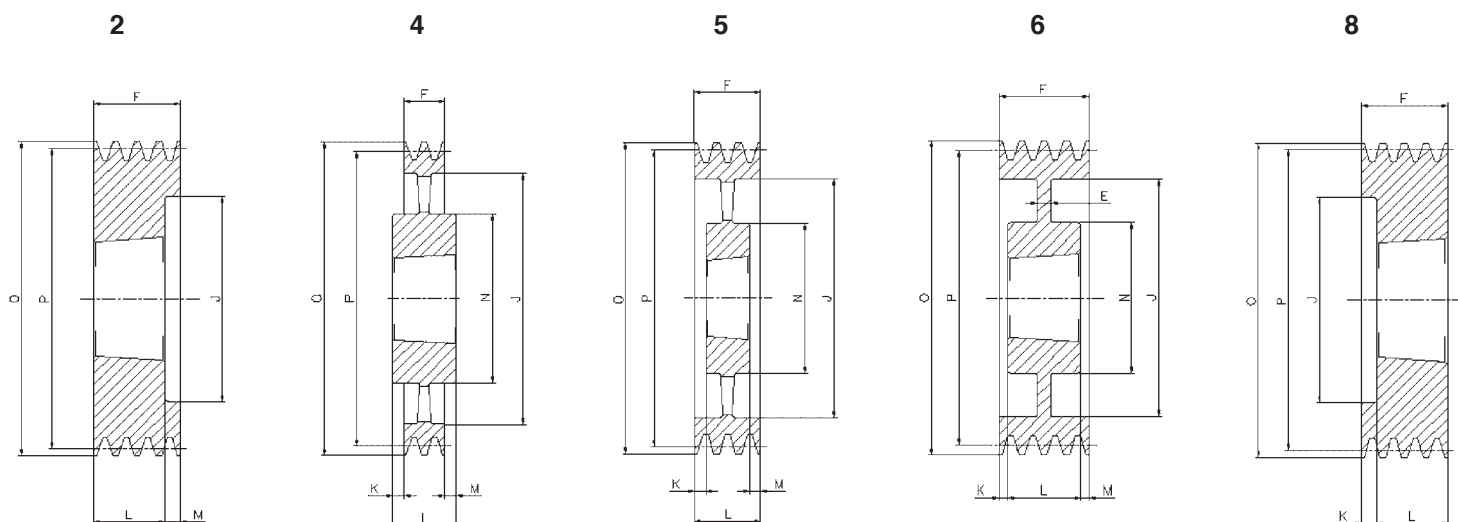
Pulegge trapezoidali per bussola conica



SPA/3

| Tipo | Gole | P | O | Forma | Bussola | Ø MAX | E | F | J | K | L | M | N |
|------------|------|------|--------|-------|---------|-------|----|----|-----|------|----|------|-----|
| SPA 71-03 | 3 | 71 | 76,5 | 8 | 1108 | 28 | - | 50 | 40 | 28 | 22 | - | - |
| SPA 75-03 | 3 | 75 | 80,5 | 8 | 1108 | 28 | - | 50 | 44 | 28 | 22 | - | - |
| SPA 80-03 | 3 | 80 | 85,5 | 8 | 1210 | 32 | - | 50 | 50 | 25 | 25 | - | - |
| SPA 85-03 | 3 | 85 | 90,5 | 8 | 1210 | 32 | - | 50 | 55 | 25 | 25 | - | - |
| SPA 90-03 | 3 | 90 | 95,5 | 8 | 1610 | 42 | - | 50 | 59 | 25 | 25 | - | - |
| SPA 95-03 | 3 | 95 | 100,5 | 8 | 1610 | 42 | - | 50 | 63 | 25 | 25 | - | - |
| SPA100-03 | 3 | 100 | 105,5 | 2 | 1610 | 42 | - | 50 | 66 | - | 25 | 25 | - |
| SPA106-03 | 3 | 106 | 111,5 | 2 | 1610 | 42 | - | 50 | 72 | - | 25 | 25 | - |
| SPA112-03 | 3 | 112 | 117,5 | 8 | 2012 | 50 | - | 50 | 78 | 18 | 32 | - | - |
| SPA118-03 | 3 | 118 | 123,5 | 2 | 2012 | 50 | - | 50 | 84 | - | 32 | 18 | - |
| SPA125-03 | 3 | 125 | 130,5 | 2 | 2012 | 50 | - | 50 | 91 | - | 32 | 18 | - |
| SPA132-03 | 3 | 132 | 137,5 | 2 | 2012 | 50 | - | 50 | 98 | - | 32 | 18 | - |
| SPA140-03 | 3 | 140 | 145,5 | 8 | 2517 | 60 | - | 50 | 106 | 5 | 45 | - | - |
| SPA150-03 | 3 | 150 | 155,5 | 8 | 2517 | 60 | - | 50 | 116 | 5 | 45 | - | - |
| SPA160-03 | 3 | 160 | 165,5 | 8 | 2517 | 60 | - | 50 | 125 | 5 | 45 | - | - |
| SPA170-03 | 3 | 170 | 175,5 | 8 | 2517 | 60 | - | 50 | 135 | 5 | 45 | - | - |
| SPA180-03 | 3 | 180 | 185,5 | 8 | 2517 | 60 | - | 50 | 146 | 5 | 45 | - | - |
| SPA190-03 | 3 | 190 | 195,5 | 8 | 2517 | 60 | - | 50 | 156 | 5 | 45 | - | - |
| SPA200-03 | 3 | 200 | 205,5 | 6 | 2517 | 60 | 20 | 50 | 165 | 2,5 | 45 | 2,5 | 123 |
| SPA212-03 | 3 | 212 | 217,5 | 6 | 2517 | 60 | 20 | 50 | 177 | 2,5 | 45 | 2,5 | 123 |
| SPA224-03 | 3 | 224 | 229,5 | 6 | 2517 | 60 | 20 | 50 | 189 | 2,5 | 45 | 2,5 | 124 |
| SPA236-03 | 3 | 236 | 241,5 | 6 | 2517 | 60 | 20 | 50 | 202 | 2,5 | 45 | 2,5 | 124 |
| SPA250-03 | 3 | 250 | 255,5 | 6 | 2517 | 60 | 20 | 50 | 215 | 2,5 | 45 | 2,5 | 124 |
| SPA280-03 | 3 | 280 | 285,5 | 6 | 2517 | 60 | 20 | 50 | 245 | 2,5 | 45 | 2,5 | 124 |
| SPA315-03 | 3 | 315 | 320,5 | 4 | 3020 | 75 | 25 | 50 | 280 | 0,5 | 51 | 0,5 | 159 |
| SPA355-03 | 3 | 355 | 360,5 | 4 | 3020 | 75 | - | 50 | 320 | 0,5 | 51 | 0,5 | 159 |
| SPA400-03 | 3 | 400 | 405,5 | 4 | 3020 | 75 | - | 50 | 365 | - | 51 | 1 | 159 |
| SPA450-03 | 3 | 450 | 455,5 | 4 | 3020 | 75 | - | 50 | 415 | - | 51 | 1 | 159 |
| SPA500-03 | 3 | 500 | 505,5 | 4 | 3020 | 75 | - | 50 | 465 | - | 51 | 1 | 159 |
| SPA560-03 | 3 | 560 | 565,5 | 4 | 3020 | 75 | - | 50 | 525 | - | 51 | 1 | 150 |
| SPA630-03 | 3 | 630 | 635,5 | 4 | 3020 | 75 | - | 50 | 595 | - | 51 | 1 | 150 |
| SPA800-03 | 3 | 800 | 805,5 | 4 | 3535 | 90 | - | 50 | 765 | 19,5 | 89 | 19,5 | 175 |
| SPA1000-03 | 3 | 1000 | 1005,5 | 4 | 3535 | 90 | - | 50 | 965 | 19,5 | 89 | 19,5 | 175 |

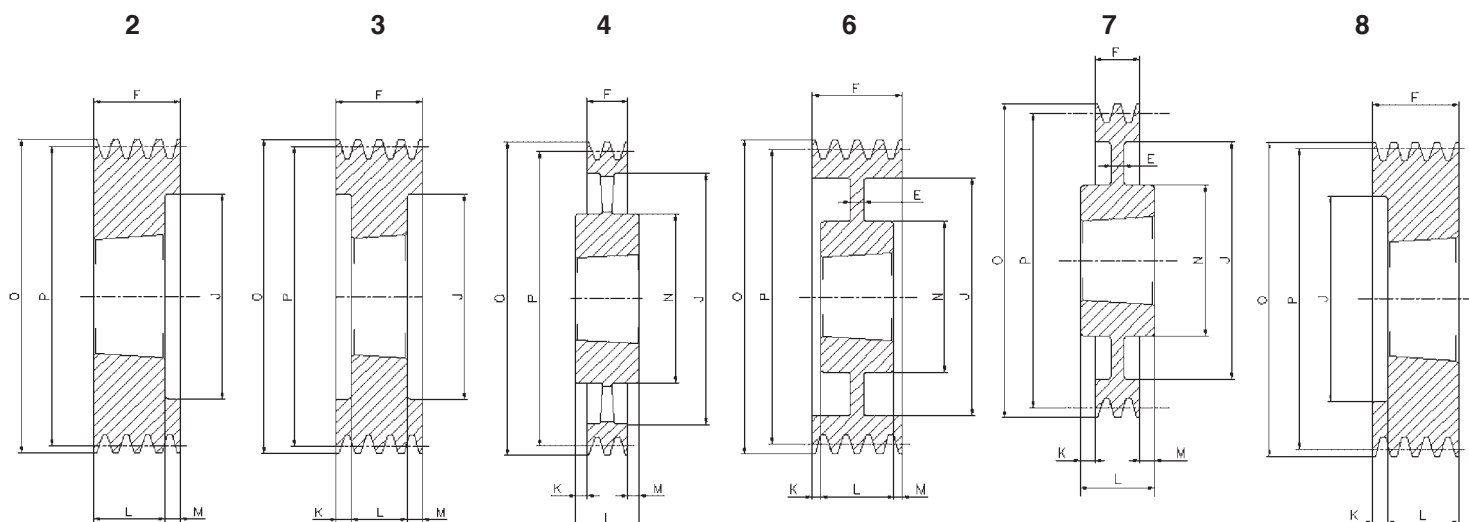
Pullegge trapezoidali per bussola conica



SPA/4

| Tipo | Gole | P | O | Forma | Bussola | Ø MAX | E | F | J | K | L | M | N |
|------------|------|------|--------|-------|---------|-------|----|----|-----|------|-----|------|-----|
| SPA 90-04 | 4 | 90 | 95,5 | 8 | 1615 | 42 | - | 65 | 59 | 27 | 38 | - | - |
| SPA 95-04 | 4 | 95 | 100,5 | 8 | 1615 | 42 | - | 65 | 63 | 27 | 38 | - | - |
| SPA100-04 | 4 | 100 | 105,5 | 2 | 1615 | 42 | - | 65 | 66 | - | 38 | 27 | - |
| SPA106-04 | 4 | 106 | 111,5 | 8 | 2012 | 50 | - | 65 | 72 | 33 | 32 | - | - |
| SPA112-04 | 4 | 112 | 117,5 | 8 | 2012 | 50 | - | 65 | 78 | 33 | 32 | - | - |
| SPA118-04 | 4 | 118 | 123,5 | 2 | 2012 | 50 | - | 65 | 84 | - | 32 | 33 | - |
| SPA125-04 | 4 | 125 | 130,5 | 2 | 2012 | 50 | - | 65 | 91 | - | 32 | 33 | - |
| SPA132-04 | 4 | 132 | 137,5 | 2 | 2517 | 60 | - | 65 | 98 | - | 45 | 20 | - |
| SPA140-04 | 4 | 140 | 145,5 | 2 | 2517 | 60 | - | 65 | 106 | - | 45 | 20 | - |
| SPA150-04 | 4 | 150 | 155,5 | 2 | 2517 | 60 | - | 65 | 116 | - | 45 | 20 | - |
| SPA160-04 | 4 | 160 | 165,5 | 2 | 2517 | 60 | - | 65 | 125 | - | 45 | 20 | - |
| SPA170-04 | 4 | 170 | 175,5 | 2 | 2517 | 60 | - | 65 | 135 | - | 45 | 20 | - |
| SPA180-04 | 4 | 180 | 185,5 | 2 | 2517 | 60 | - | 65 | 146 | - | 45 | 20 | - |
| SPA190-04 | 4 | 190 | 195,5 | 2 | 2517 | 60 | - | 65 | 156 | - | 45 | 20 | - |
| SPA200-04 | 4 | 200 | 205,5 | 2 | 3020 | 75 | - | 65 | 165 | - | 51 | 14 | - |
| SPA212-04 | 4 | 212 | 217,5 | 2 | 3020 | 75 | - | 65 | 177 | - | 51 | 14 | - |
| SPA224-04 | 4 | 224 | 229,5 | 2 | 3020 | 75 | - | 65 | 189 | - | 51 | 14 | - |
| SPA236-04 | 4 | 236 | 241,5 | 6 | 3020 | 75 | 25 | 65 | 202 | - | 51 | 14 | - |
| SPA250-04 | 4 | 250 | 255,5 | 6 | 3020 | 75 | 20 | 65 | 215 | 7 | 51 | 7 | 159 |
| SPA280-04 | 4 | 280 | 285,5 | 6 | 3020 | 75 | 25 | 65 | 245 | 7 | 51 | 7 | 159 |
| SPA315-04 | 4 | 315 | 320,5 | 6 | 3020 | 75 | 25 | 65 | 280 | 7 | 51 | 7 | 159 |
| SPA355-04 | 4 | 355 | 360,5 | 5 | 3020 | 75 | - | 65 | 320 | 7 | 51 | 7 | 159 |
| SPA400-04 | 4 | 400 | 405,5 | 5 | 3020 | 75 | - | 65 | 365 | 7 | 51 | 7 | 159 |
| SPA450-04 | 4 | 450 | 455,5 | 5 | 3020 | 75 | - | 65 | 415 | 7 | 51 | 7 | 159 |
| SPA500-04 | 4 | 500 | 505,5 | 5 | 3020 | 75 | - | 65 | 465 | 7 | 51 | 7 | 159 |
| SPA560-04 | 4 | 560 | 565,5 | 4 | 3535 | 90 | - | 65 | 525 | 12 | 89 | 12 | 175 |
| SPA630-04 | 4 | 630 | 635,5 | 4 | 3535 | 90 | - | 65 | 595 | 12 | 89 | 12 | 175 |
| SPA800-04 | 4 | 800 | 805,5 | 4 | 3535 | 90 | - | 65 | 765 | 12 | 89 | 12 | 175 |
| SPA1000-04 | 4 | 1000 | 1005,5 | 4 | 4040 | 100 | - | 65 | 965 | 18,5 | 102 | 18,5 | 210 |

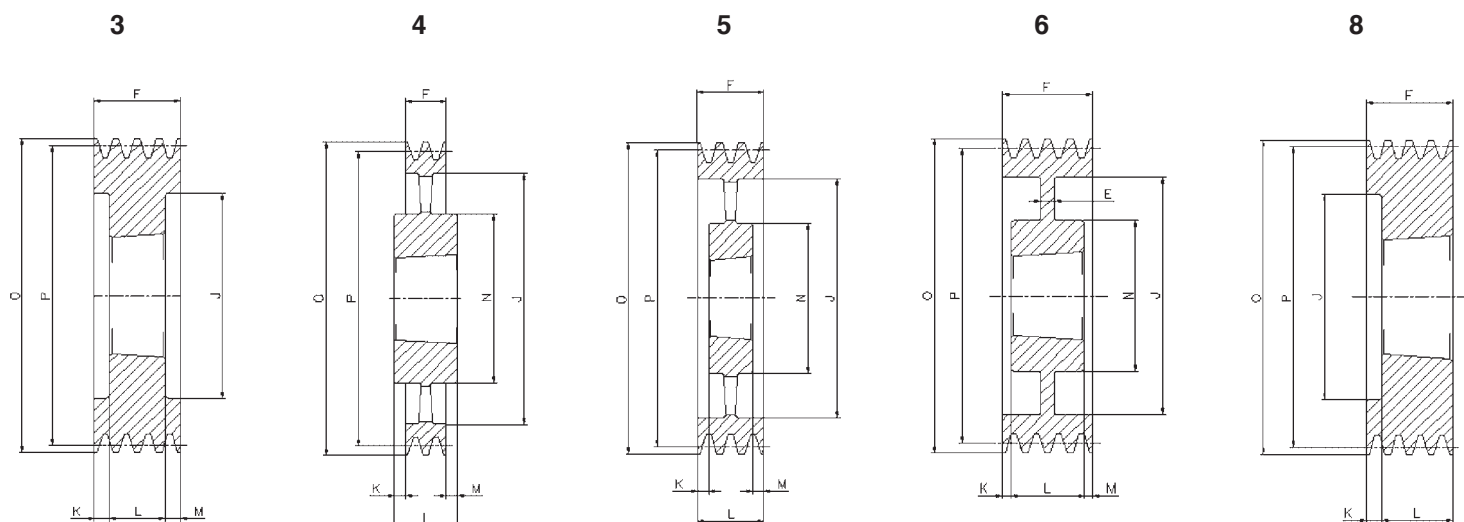
Pullegge trapezoidali per bussola conica



SPA/5

| Tipo | Gole | P | O | Forma | Bussola | Ø MAX | E | F | J | K | L | M | N |
|------------|------|------|--------|-------|---------|-------|----|----|-----|------|-----|------|-----|
| SPA100-05 | 5 | 100 | 105,5 | 2 | 1615 | 42 | - | 80 | 66 | - | 38 | 42 | - |
| SPA106-05 | 5 | 106 | 111,5 | 8 | 2012 | 50 | - | 80 | 72 | 48 | 32 | - | - |
| SPA112-05 | 5 | 112 | 117,5 | 8 | 2012 | 50 | - | 80 | 78 | 48 | 32 | - | - |
| SPA118-05 | 5 | 118 | 123,5 | 2 | 2012 | 50 | - | 80 | 84 | - | 32 | 48 | - |
| SPA125-05 | 5 | 125 | 130,5 | 3 | 2012 | 50 | - | 80 | 91 | 24 | 32 | 24 | - |
| SPA132-05 | 5 | 132 | 137,5 | 3 | 2517 | 60 | - | 80 | 98 | 17,5 | 45 | 17,5 | - |
| SPA140-05 | 5 | 140 | 145,5 | 3 | 2517 | 60 | - | 80 | 106 | 17,5 | 45 | 17,5 | - |
| SPA150-05 | 5 | 150 | 155,5 | 3 | 2517 | 60 | - | 80 | 116 | 17,5 | 45 | 17,5 | - |
| SPA160-05 | 5 | 160 | 165,5 | 3 | 2517 | 60 | - | 80 | 125 | 17,5 | 45 | 17,5 | - |
| SPA170-05 | 5 | 170 | 175,5 | 3 | 2517 | 60 | - | 80 | 135 | 17,5 | 45 | 17,5 | - |
| SPA180-05 | 5 | 180 | 185,5 | 3 | 3020 | 75 | - | 80 | 146 | - | 51 | 29 | - |
| SPA190-05 | 5 | 190 | 195,5 | 2 | 3020 | 75 | - | 80 | 156 | 14,5 | 51 | 14,5 | - |
| SPA200-05 | 5 | 200 | 205,5 | 3 | 3020 | 75 | - | 80 | 165 | 14,5 | 51 | 14,5 | - |
| SPA212-05 | 5 | 212 | 217,5 | 2 | 3020 | 75 | - | 80 | 177 | - | 51 | 29 | - |
| SPA224-05 | 5 | 224 | 229,5 | 2 | 3020 | 75 | - | 80 | 189 | - | 51 | 29 | - |
| SPA236-05 | 5 | 236 | 241,5 | 2 | 3020 | 75 | - | 80 | 202 | - | 51 | 29 | - |
| SPA250-05 | 5 | 250 | 255,5 | 6 | 3020 | 75 | 20 | 80 | 215 | 14,5 | 51 | 14,5 | 159 |
| SPA280-05 | 5 | 280 | 285,5 | 7 | 3535 | 90 | 25 | 80 | 245 | 4,5 | 89 | 4,5 | 175 |
| SPA315-05 | 5 | 315 | 320,5 | 7 | 3535 | 90 | 25 | 80 | 280 | 4,5 | 89 | 4,5 | 175 |
| SPA355-05 | 5 | 355 | 360,5 | 4 | 3535 | 90 | - | 80 | 320 | 4,5 | 89 | 4,5 | 175 |
| SPA400-05 | 5 | 400 | 405,5 | 4 | 3535 | 90 | - | 80 | 365 | 4,5 | 89 | 4,5 | 175 |
| SPA450-05 | 5 | 450 | 455,5 | 4 | 3535 | 90 | - | 80 | 415 | 4,5 | 89 | 4,5 | 175 |
| SPA500-05 | 5 | 500 | 505,5 | 4 | 3535 | 90 | - | 80 | 465 | 4,5 | 89 | 4,5 | 175 |
| SPA560-05 | 5 | 560 | 565,5 | 4 | 3535 | 90 | - | 80 | 525 | 4,5 | 89 | 4,5 | 175 |
| SPA630-05 | 5 | 630 | 635,5 | 4 | 3535 | 90 | - | 80 | 595 | 4,5 | 89 | 4,5 | 175 |
| SPA800-05 | 5 | 800 | 805,5 | 4 | 4040 | 100 | - | 80 | 765 | 11 | 102 | 11 | 210 |
| SPA1000-05 | 5 | 1000 | 1005,5 | 4 | 4545 | 110 | - | 80 | 965 | 17 | 114 | 17 | 242 |

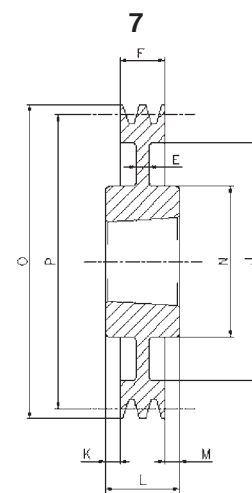
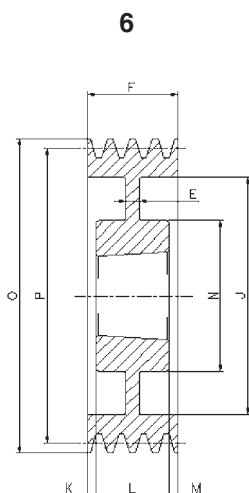
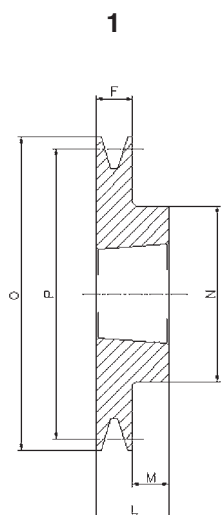
Pullegge trapezoidali per bussola conica



SPA/6

| Tipo | Gole | P | O | Forma | Bussola | Ø MAX | E | F | J | K | L | M | N |
|------------|------|------|--------|-------|---------|-------|----|----|-----|------|-----|------|-----|
| SPA100-06 | 6 | 100 | 105,5 | 3 | 1610 | 42 | - | 95 | 66 | 30 | 25 | 40 | - |
| SPA106-06 | 6 | 106 | 111,5 | 8 | 2012 | 50 | - | 95 | 72 | 63 | 32 | - | - |
| SPA112-06 | 6 | 112 | 117,5 | 8 | 2012 | 50 | - | 95 | 78 | 63 | 32 | - | - |
| SPA118-06 | 6 | 118 | 123,5 | 8 | 2012 | 50 | - | 95 | 84 | 63 | 32 | - | - |
| SPA125-06 | 6 | 125 | 130,5 | 3 | 2012 | 50 | - | 95 | 91 | 31,5 | 32 | 31,5 | - |
| SPA132-06 | 6 | 132 | 137,5 | 3 | 2517 | 60 | - | 95 | 98 | 25 | 45 | 25 | - |
| SPA140-06 | 6 | 140 | 145,5 | 3 | 2517 | 60 | - | 95 | 106 | 25 | 45 | 25 | - |
| SPA150-06 | 6 | 150 | 155,5 | 3 | 2517 | 60 | - | 95 | 116 | 25 | 45 | 25 | - |
| SPA160-06 | 6 | 160 | 165,5 | 3 | 2517 | 60 | - | 95 | 125 | 25 | 45 | 25 | - |
| SPA180-06 | 6 | 180 | 185,5 | 3 | 3020 | 75 | - | 95 | 146 | 22 | 51 | 22 | - |
| SPA200-06 | 6 | 200 | 205,5 | 3 | 3020 | 75 | - | 95 | 165 | 22 | 51 | 22 | - |
| SPA224-06 | 6 | 224 | 229,5 | 3 | 3020 | 75 | - | 95 | 189 | 22 | 51 | 22 | - |
| SPA236-06 | 6 | 236 | 241,5 | 3 | 3020 | 75 | - | 95 | 202 | 22 | 51 | 22 | - |
| SPA250-06 | 6 | 250 | 255,5 | 6 | 3020 | 75 | 20 | 95 | 215 | 22 | 51 | 22 | 155 |
| SPA280-06 | 6 | 280 | 285,5 | 6 | 3535 | 90 | 25 | 95 | 245 | 3 | 89 | 3 | 175 |
| SPA315-06 | 6 | 315 | 320,5 | 6 | 3535 | 90 | 25 | 95 | 280 | 3 | 89 | 3 | 175 |
| SPA355-06 | 6 | 355 | 360,5 | 5 | 3535 | 90 | - | 95 | 320 | 3 | 89 | 3 | 175 |
| SPA400-06 | 6 | 400 | 405,5 | 5 | 3535 | 90 | - | 95 | 365 | 3 | 89 | 3 | 175 |
| SPA450-06 | 6 | 450 | 455,5 | 5 | 3535 | 90 | - | 95 | 415 | 3 | 89 | 3 | 175 |
| SPA500-06 | 6 | 500 | 505,5 | 5 | 3535 | 90 | - | 95 | 465 | 3 | 89 | 3 | 175 |
| SPA560-06 | 6 | 560 | 565,5 | 5 | 3535 | 90 | - | 95 | 525 | 3 | 89 | 3 | 175 |
| SPA630-06 | 6 | 630 | 635,5 | 4 | 4040 | 100 | - | 95 | 595 | 3,5 | 102 | 3,5 | 210 |
| SPA800-06 | 6 | 800 | 805,5 | 4 | 4040 | 100 | - | 95 | 765 | 3,5 | 102 | 3,5 | 210 |
| SPA1000-06 | 6 | 1000 | 1005,5 | 4 | 4545 | 110 | - | 95 | 965 | 9,5 | 114 | 9,5 | 242 |

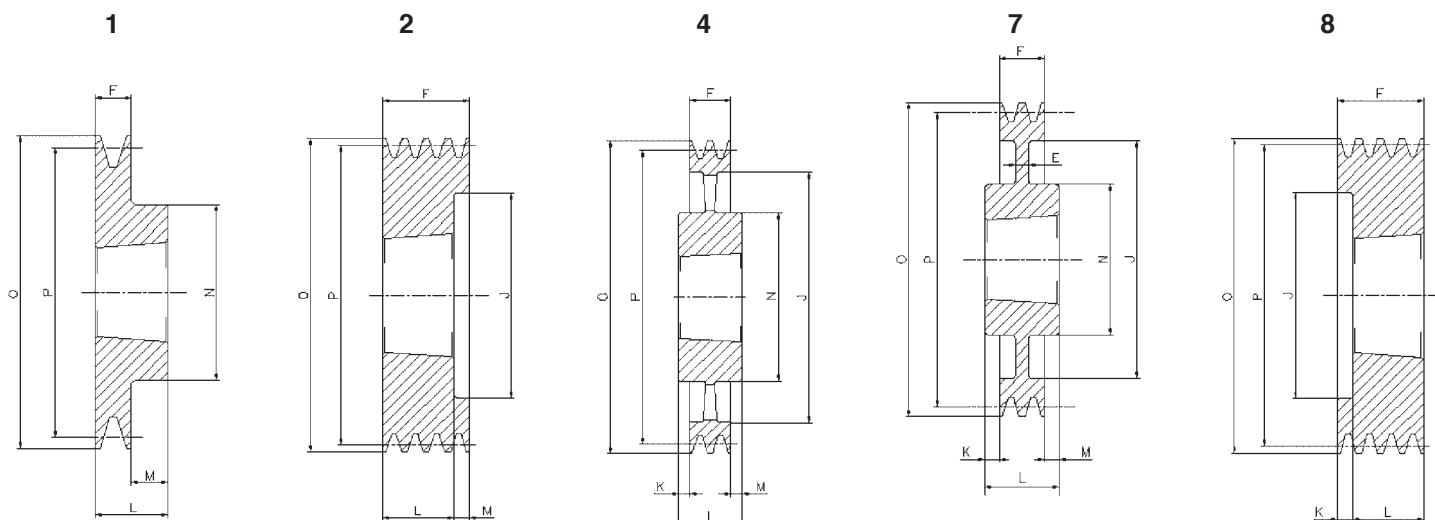
Pullegge trapezoidali per bussola conica



SPB/1

| Tipo | Gole | P | O | Forma | Bussola | Ø MAX | E | F | J | K | L | M | N |
|-----------|------|-----|-----|-------|---------|-------|----|----|-----|-----|----|-----|-----|
| SPB100-01 | 1 | 100 | 107 | 1 | 1610 | 42 | - | 25 | - | - | 25 | - | - |
| SPB106-1 | 1 | 106 | 113 | 1 | 1610 | 42 | - | 25 | - | - | 25 | - | - |
| SPB112-01 | 1 | 112 | 119 | 1 | 1610 | 42 | - | 25 | - | - | 25 | - | - |
| SPB118-01 | 1 | 118 | 125 | 1 | 1610 | 42 | - | 25 | - | - | 25 | - | - |
| SPB125-01 | 1 | 125 | 132 | 1 | 1610 | 42 | - | 25 | - | - | 25 | - | - |
| SPB132-01 | 1 | 132 | 139 | 1 | 1610 | 42 | - | 25 | - | - | 25 | - | - |
| SPB140-01 | 1 | 140 | 147 | 1 | 1610 | 42 | - | 25 | - | - | 25 | - | - |
| SPB150-01 | 1 | 150 | 157 | 1 | 1610 | 42 | - | 25 | - | - | 25 | - | - |
| SPB160-01 | 1 | 160 | 167 | 1 | 1610 | 42 | - | 25 | - | - | 25 | - | - |
| SPB170-01 | 1 | 170 | 177 | 1 | 1610 | 42 | - | 25 | - | - | 25 | - | - |
| SPB180-01 | 1 | 180 | 187 | 6 | 1610 | 42 | 15 | 25 | 132 | - | 25 | - | 90 |
| SPB190-01 | 1 | 190 | 197 | 7 | 2012 | 50 | 15 | 25 | 147 | 3,5 | 32 | 3,5 | 104 |
| SPB200-01 | 1 | 200 | 207 | 7 | 2012 | 50 | 15 | 25 | 157 | 3,5 | 32 | 3,5 | 104 |
| SPB212-01 | 1 | 212 | 219 | 7 | 2012 | 50 | 15 | 25 | 169 | 3,5 | 32 | 3,5 | 104 |
| SPB224-01 | 1 | 224 | 231 | 7 | 2012 | 50 | 15 | 25 | 181 | 3,5 | 32 | 3,5 | 104 |
| SPB236-01 | 1 | 236 | 243 | 7 | 2012 | 50 | 15 | 25 | 193 | 3,5 | 32 | 3,5 | 104 |
| SPB250-01 | 1 | 250 | 257 | 7 | 2012 | 50 | 20 | 25 | 207 | 3,5 | 32 | 3,5 | 104 |
| SPB280-01 | 1 | 280 | 287 | 7 | 2012 | 50 | 20 | 25 | 237 | 3,5 | 32 | 3,5 | 104 |
| SPB300-01 | 1 | 300 | 307 | 7 | 2012 | 50 | 20 | 25 | 258 | 3,5 | 32 | 3,5 | 104 |
| SPB315-01 | 1 | 315 | 322 | 7 | 2012 | 50 | 20 | 25 | 272 | 3,5 | 32 | 3,5 | 104 |

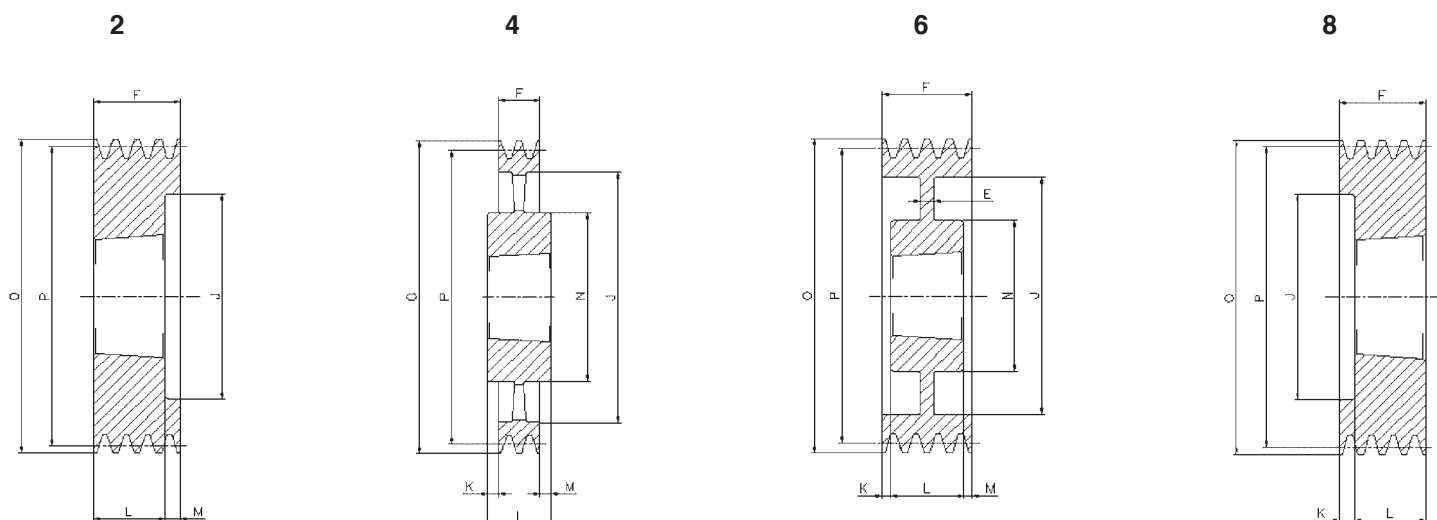
Pullegge trapezoidali per bussola conica



SPB/2

| Tipo | Gole | P | O | Forma | Bussola | Ø MAX | E | F | J | K | L | M | N |
|-----------|------|-----|-----|-------|---------|-------|----|----|-----|-----|----|-----|-----|
| SPB100-02 | 2 | 100 | 107 | 8 | 1610 | 42 | - | 44 | 62 | 19 | 25 | - | - |
| SPB106-02 | 2 | 106 | 113 | 8 | 1610 | 42 | - | 44 | 67 | 19 | 25 | - | - |
| SPB112-02 | 2 | 112 | 119 | 8 | 1610 | 42 | - | 44 | 72 | 19 | 25 | - | - |
| SPB118-02 | 2 | 118 | 125 | 2 | 1610 | 42 | - | 44 | 78 | - | 25 | 19 | - |
| SPB125-02 | 2 | 125 | 132 | 2 | 2012 | 50 | - | 44 | 82 | - | 32 | 12 | - |
| SPB132-02 | 2 | 132 | 139 | 2 | 2012 | 50 | - | 44 | 89 | - | 32 | 12 | - |
| SPB140-02 | 2 | 140 | 147 | 2 | 2012 | 50 | - | 44 | 97 | - | 32 | 12 | - |
| SPB150-02 | 2 | 150 | 157 | 2 | 2012 | 50 | - | 44 | 107 | - | 32 | 12 | - |
| SPB160-02 | 2 | 160 | 167 | 2 | 2012 | 50 | - | 44 | 117 | - | 32 | 12 | - |
| SPB170-02 | 2 | 170 | 177 | 2 | 2012 | 50 | - | 44 | 127 | - | 32 | 12 | - |
| SPB180-02 | 2 | 180 | 187 | 1 | 2517 | 60 | - | 44 | - | - | 45 | 1 | 120 |
| SPB190-02 | 2 | 190 | 197 | 1 | 2517 | 60 | - | 44 | - | - | 45 | 1 | 120 |
| SPB200-02 | 2 | 200 | 207 | 1 | 2517 | 60 | - | 44 | - | - | 45 | 1 | 117 |
| SPB212-02 | 2 | 212 | 219 | 7 | 2517 | 60 | 20 | 44 | 169 | - | 45 | 1 | 117 |
| SPB224-02 | 2 | 224 | 231 | 7 | 2517 | 60 | 15 | 44 | 181 | - | 45 | 1 | 117 |
| SPB236-02 | 2 | 236 | 243 | 7 | 2517 | 60 | 15 | 44 | 193 | - | 45 | 1 | 117 |
| SPB250-02 | 2 | 250 | 257 | 7 | 2517 | 60 | 20 | 44 | 207 | - | 45 | 1 | 125 |
| SPB280-02 | 2 | 280 | 287 | 7 | 2517 | 60 | 20 | 44 | 237 | - | 45 | 1 | 125 |
| SPB300-02 | 2 | 300 | 307 | 7 | 2517 | 60 | 20 | 44 | 257 | - | 45 | 1 | 125 |
| SPB315-02 | 2 | 315 | 322 | 7 | 2517 | 60 | 20 | 44 | 272 | - | 45 | 1 | 125 |
| SPB335-02 | 2 | 335 | 342 | 7 | 2517 | 60 | 20 | 44 | 292 | - | 45 | 1 | 125 |
| SPB355-02 | 2 | 355 | 362 | 7 | 3020 | 75 | 15 | 44 | 312 | 3,5 | 51 | 3,5 | 144 |
| SPB400-02 | 2 | 400 | 407 | 4 | 3020 | 75 | - | 44 | 357 | 3,5 | 51 | 3,5 | 150 |
| SPB450-02 | 2 | 450 | 457 | 4 | 3020 | 75 | - | 44 | 407 | 3,5 | 51 | 3,5 | 150 |
| SPB500-02 | 2 | 500 | 507 | 4 | 3020 | 75 | - | 44 | 457 | 3,5 | 51 | 3,5 | 150 |
| SPB560-02 | 2 | 560 | 567 | 4 | 3030 | 75 | - | 44 | 517 | 4 | 76 | 28 | 150 |
| SPB630-02 | 2 | 630 | 637 | 4 | 3030 | 75 | - | 44 | 587 | 16 | 76 | 16 | 150 |

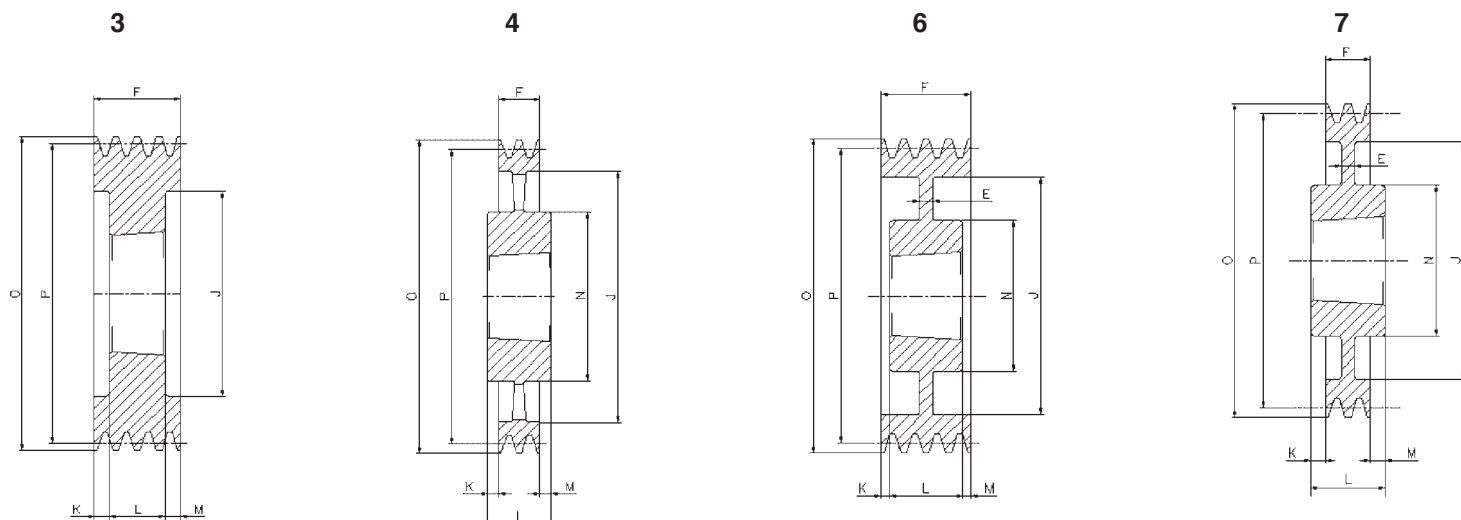
Pulegge trapezoidali per bussola conica



SPB/3

| Tipo | Gole | P | O | Forma | Bussola | Ø MAX | E | F | J | K | L | M | N |
|------------|------|------|------|-------|---------|-------|----|----|------|------|-----|------|-----|
| SPB100-03 | 3 | 100 | 107 | 8 | 1610 | 42 | - | 63 | 62 | 38 | 25 | - | - |
| SPB106-03 | 3 | 106 | 113 | 8 | 1610 | 42 | - | 63 | 67 | 38 | 25 | - | - |
| SPB112-03 | 3 | 112 | 119 | 8 | 1610 | 42 | - | 63 | 72 | 38 | 25 | - | - |
| SPB118-03 | 3 | 118 | 125 | 2 | 1610 | 42 | - | 63 | 78 | - | 25 | 38 | - |
| SPB125-03 | 3 | 125 | 132 | 2 | 2012 | 50 | - | 63 | 82 | - | 32 | 31 | - |
| SPB132-03 | 3 | 132 | 139 | 2 | 2012 | 50 | - | 63 | 89 | - | 32 | 31 | - |
| SPB140-03 | 3 | 140 | 147 | 2 | 2012 | 50 | - | 63 | 97 | - | 32 | 31 | - |
| SPB150-03 | 3 | 150 | 157 | 2 | 2517 | 60 | - | 63 | 107 | - | 45 | 18 | - |
| SPB160-03 | 3 | 160 | 167 | 2 | 2517 | 60 | - | 63 | 117 | - | 45 | 18 | - |
| SPB170-03 | 3 | 170 | 177 | 2 | 2517 | 60 | - | 63 | 127 | - | 45 | 18 | - |
| SPB180-03 | 3 | 180 | 187 | 2 | 2517 | 60 | - | 63 | 137 | - | 45 | 18 | - |
| SPB190-03 | 3 | 190 | 197 | 2 | 2517 | 60 | - | 63 | 147 | - | 45 | 18 | - |
| SPB200-03 | 3 | 200 | 207 | 2 | 2517 | 60 | - | 63 | 157 | - | 45 | 18 | - |
| SPB212-03 | 3 | 212 | 219 | 6 | 2517 | 60 | 15 | 63 | 169 | - | 45 | 18 | 117 |
| SPB224-03 | 3 | 224 | 231 | 6 | 2517 | 60 | 15 | 63 | 181 | - | 45 | 18 | 117 |
| SPB236-03 | 3 | 236 | 243 | 6 | 2517 | 60 | 15 | 63 | 193 | - | 45 | 18 | 117 |
| SPB250-03 | 3 | 250 | 257 | 6 | 3020 | 75 | 20 | 63 | 207 | - | 51 | 12 | 144 |
| SPB280-03 | 3 | 280 | 287 | 6 | 3020 | 75 | 20 | 63 | 237 | 6 | 51 | 6 | 144 |
| SPB300-03 | 3 | 300 | 307 | 6 | 3020 | 75 | 20 | 63 | 257 | 6 | 51 | 6 | 144 |
| SPB315-03 | 3 | 315 | 322 | 6 | 3020 | 75 | 20 | 63 | 272 | 6 | 51 | 6 | 144 |
| SPB335-03 | 3 | 335 | 342 | 6 | 3020 | 75 | 20 | 63 | 292 | 6 | 51 | 6 | 144 |
| SPB355-03 | 3 | 355 | 362 | 6 | 3020 | 75 | 15 | 63 | 312 | 6 | 51 | 6 | 144 |
| SPB400-03 | 3 | 400 | 407 | 4 | 3535 | 90 | - | 63 | 357 | 13 | 89 | 13 | 175 |
| SPB450-03 | 3 | 450 | 457 | 4 | 3535 | 90 | - | 63 | 407 | - | 89 | 26 | 175 |
| SPB500-03 | 3 | 500 | 507 | 4 | 3535 | 90 | - | 63 | 457 | - | 89 | 26 | 175 |
| SPB560-03 | 3 | 560 | 567 | 4 | 3535 | 90 | - | 63 | 517 | - | 89 | 26 | 175 |
| SPB630-03 | 3 | 630 | 637 | 4 | 3535 | 90 | - | 63 | 587 | - | 89 | 26 | 175 |
| SPB710-03 | 3 | 710 | 717 | 4 | 3535 | 90 | - | 63 | 664 | 13 | 89 | 13 | 175 |
| SPB800-03 | 3 | 800 | 807 | 4 | 3535 | 90 | - | 63 | 754 | 13 | 89 | 13 | 175 |
| SPB900-03 | 3 | 900 | 907 | 4 | 3535 | 90 | - | 63 | 854 | 13 | 89 | 13 | 175 |
| SPB1000-03 | 3 | 1000 | 1007 | 4 | 4040 | 100 | - | 63 | 954 | 19,5 | 102 | 19,5 | 210 |
| SPB1250-03 | 3 | 1250 | 1257 | 4 | 4040 | 100 | - | 63 | 1204 | 19,5 | 102 | 19,5 | 210 |

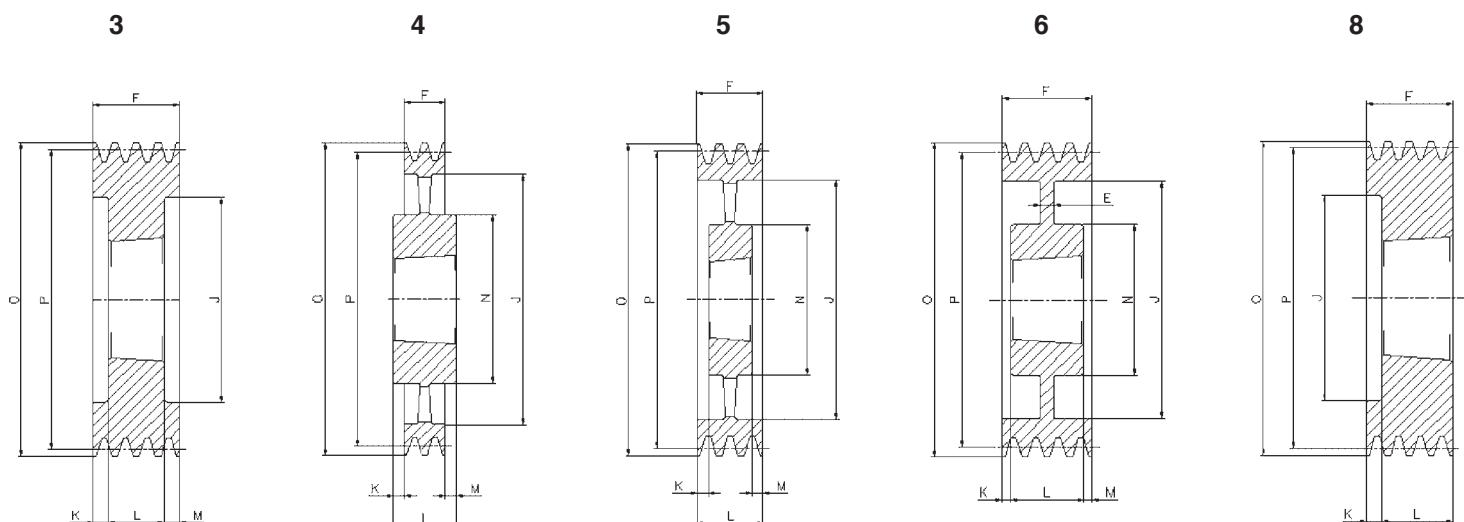
Pullegge trapezoidali per bussola conica



SPB/4

| Tipo | Gole | P | O | Forma | Bussola | Ø MAX | E | F | J | K | L | M | N |
|------------|------|------|------|-------|---------|-------|----|----|------|------|-----|------|-----|
| SPB125-04 | 4 | 125 | 132 | 3 | 2012 | 50 | - | 82 | 82 | 25 | 32 | 25 | - |
| SPB132-04 | 4 | 132 | 139 | 3 | 2012 | 50 | - | 82 | 89 | 25 | 32 | 25 | - |
| SPB140-04 | 4 | 140 | 147 | 3 | 2517 | 60 | - | 82 | 100 | 18,5 | 45 | 18,5 | - |
| SPB150-04 | 4 | 150 | 157 | 3 | 2517 | 60 | - | 82 | 107 | 18,5 | 45 | 18,5 | - |
| SPB160-04 | 4 | 160 | 167 | 3 | 2517 | 60 | - | 82 | 117 | 18,5 | 45 | 18,5 | - |
| SPB170-04 | 4 | 170 | 177 | 3 | 2517 | 60 | - | 82 | 127 | 18,5 | 45 | 18,5 | - |
| SPB180-04 | 4 | 180 | 187 | 3 | 2517 | 60 | - | 82 | 137 | 18,5 | 45 | 18,5 | - |
| SPB190-04 | 4 | 190 | 197 | 3 | 2517 | 60 | - | 82 | 147 | 18,5 | 45 | 18,5 | - |
| SPB200-04 | 4 | 200 | 207 | 3 | 3020 | 75 | - | 82 | 157 | 15,5 | 51 | 15,5 | - |
| SPB212-04 | 4 | 212 | 219 | 3 | 3020 | 75 | - | 82 | 169 | 15,5 | 51 | 15,5 | - |
| SPB224-04 | 4 | 224 | 231 | 3 | 3020 | 75 | - | 82 | 181 | 15,5 | 51 | 15,5 | - |
| SPB236-04 | 4 | 236 | 243 | 3 | 3020 | 75 | - | 82 | 193 | 15,5 | 51 | 15,5 | - |
| SPB250-04 | 4 | 250 | 257 | 6 | 3020 | 75 | 25 | 82 | 207 | 15,5 | 51 | 15,5 | 144 |
| SPB280-04 | 4 | 280 | 287 | 6 | 3020 | 75 | 25 | 82 | 237 | 15,5 | 51 | 15,5 | 144 |
| SPB300-04 | 4 | 300 | 307 | 7 | 3535 | 90 | 25 | 82 | 257 | - | 89 | 7 | 175 |
| SPB315-04 | 4 | 315 | 322 | 7 | 3535 | 90 | 25 | 82 | 272 | 3,5 | 89 | 3,5 | 175 |
| SPB335-04 | 4 | 335 | 342 | 7 | 3535 | 90 | 25 | 82 | 292 | 3,5 | 89 | 3,5 | 175 |
| SPB355-04 | 4 | 355 | 362 | 7 | 3535 | 90 | 25 | 82 | 312 | 3,5 | 89 | 3,5 | 175 |
| SPB400-04 | 4 | 400 | 407 | 4 | 3535 | 90 | - | 82 | 357 | 3,5 | 89 | 3,5 | 175 |
| SPB450-04 | 4 | 450 | 457 | 4 | 3535 | 90 | - | 82 | 407 | - | 89 | 7 | 175 |
| SPB500-04 | 4 | 500 | 507 | 4 | 3535 | 90 | - | 82 | 457 | - | 89 | 7 | 175 |
| SPB560-04 | 4 | 560 | 567 | 4 | 3535 | 90 | - | 82 | 517 | - | 89 | 7 | 175 |
| SPB630-04 | 4 | 630 | 637 | 4 | 3535 | 90 | - | 82 | 587 | - | 89 | 7 | 175 |
| SPB710-04 | 4 | 710 | 717 | 4 | 3535 | 90 | - | 82 | 664 | 3,5 | 89 | 3,5 | 175 |
| SPB800-04 | 4 | 800 | 807 | 4 | 4040 | 100 | - | 82 | 754 | 10 | 102 | 10 | 210 |
| SPB900-04 | 4 | 900 | 907 | 4 | 4040 | 100 | - | 82 | 854 | 10 | 102 | 10 | 210 |
| SPB1000-04 | 4 | 1000 | 1007 | 4 | 4040 | 100 | - | 82 | 954 | 10 | 102 | 16 | 210 |
| SPB1250-04 | 4 | 1250 | 1257 | 4 | 4545 | 110 | - | 82 | 1204 | 16 | 114 | 16 | 210 |

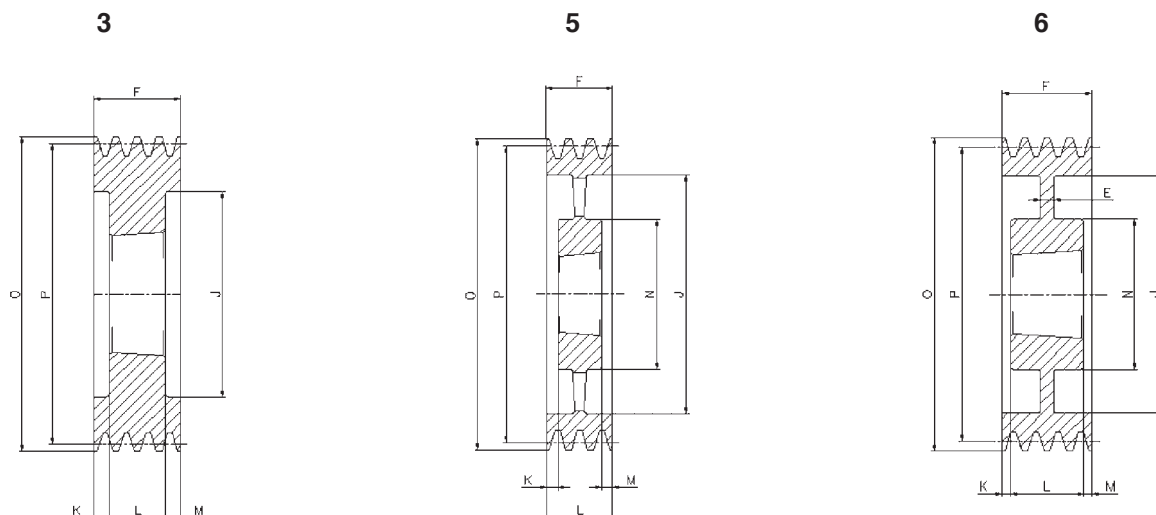
Pullegge trapezoidali per bussola conica



SPB/5

| Tipo | Gole | P | O | Forma | Bussola | Ø MAX | E | F | J | K | L | M | N |
|------------|------|------|------|-------|---------|-------|----|-----|------|-----|-----|-----|-----|
| SPB125-05 | 5 | 125 | 132 | 8 | 2012 | 50 | - | 101 | 87 | 69 | 32 | - | - |
| SPB132-05 | 5 | 132 | 139 | 8 | 2517 | 60 | - | 101 | 94 | 56 | 45 | - | - |
| SPB140-05 | 5 | 140 | 147 | 3 | 2517 | 60 | - | 101 | 97 | 28 | 45 | 28 | - |
| SPB150-05 | 5 | 150 | 157 | 3 | 2517 | 60 | - | 101 | 107 | 28 | 45 | 28 | - |
| SPB160-05 | 5 | 160 | 167 | 3 | 2517 | 60 | - | 101 | 117 | 28 | 45 | 28 | - |
| SPB170-05 | 5 | 170 | 177 | 3 | 3020 | 75 | - | 101 | 127 | 25 | 51 | 25 | - |
| SPB180-05 | 5 | 180 | 187 | 3 | 3020 | 75 | - | 101 | 137 | 25 | 51 | 25 | - |
| SPB190-05 | 5 | 190 | 197 | 3 | 3020 | 75 | - | 101 | 147 | 25 | 51 | 25 | - |
| SPB200-05 | 5 | 200 | 207 | 3 | 3020 | 75 | - | 101 | 157 | 25 | 51 | 25 | - |
| SPB212-05 | 5 | 212 | 219 | 3 | 3020 | 75 | - | 101 | 169 | 25 | 51 | 25 | - |
| SPB224-05 | 5 | 224 | 231 | 3 | 3020 | 75 | - | 101 | 181 | 25 | 51 | 25 | - |
| SPB236-05 | 5 | 236 | 243 | 3 | 3535 | 90 | - | 101 | 193 | 6 | 89 | 6 | - |
| SPB250-05 | 5 | 250 | 257 | 3 | 3535 | 90 | - | 101 | 207 | 6 | 89 | 6 | - |
| SPB280-05 | 5 | 280 | 287 | 6 | 3535 | 90 | 25 | 101 | 237 | 6 | 89 | 6 | 175 |
| SPB300-05 | 5 | 300 | 307 | 6 | 3535 | 90 | 25 | 101 | 257 | 6 | 89 | 6 | 175 |
| SPB315-05 | 5 | 315 | 322 | 6 | 3535 | 90 | 25 | 101 | 272 | 6 | 89 | 6 | 175 |
| SPB335-05 | 5 | 335 | 342 | 6 | 3535 | 90 | 25 | 101 | 292 | 6 | 89 | 6 | 175 |
| SPB355-05 | 5 | 355 | 362 | 6 | 3535 | 90 | 17 | 101 | 312 | 6 | 89 | 6 | 175 |
| SPB400-05 | 5 | 400 | 407 | 5 | 3535 | 90 | - | 101 | 357 | 6 | 89 | 6 | 175 |
| SPB450-05 | 5 | 450 | 457 | 5 | 3535 | 90 | - | 101 | 407 | - | 89 | 12 | 175 |
| SPB500-05 | 5 | 500 | 507 | 5 | 3535 | 90 | - | 101 | 457 | - | 89 | 12 | 175 |
| SPB560-05 | 5 | 560 | 567 | 4 | 4040 | 100 | - | 101 | 517 | - | 102 | 1 | 210 |
| SPB630-05 | 5 | 630 | 637 | 4 | 4040 | 100 | - | 101 | 587 | - | 102 | 1 | 210 |
| SPB710-05 | 5 | 710 | 717 | 4 | 4040 | 100 | - | 101 | 664 | - | 102 | 1 | 210 |
| SPB800-05 | 5 | 800 | 807 | 4 | 4040 | 100 | - | 101 | 754 | - | 102 | 1 | 210 |
| SPB900-05 | 5 | 900 | 907 | 4 | 4040 | 100 | - | 101 | 854 | - | 102 | 1 | 210 |
| SPB1000-05 | 5 | 1000 | 1007 | 4 | 4545 | 110 | - | 101 | 954 | 6,5 | 114 | 6,5 | 242 |
| SPB1250-05 | 5 | 1250 | 1257 | 4 | 4545 | 110 | - | 101 | 1204 | 6,5 | 114 | 6,5 | 242 |

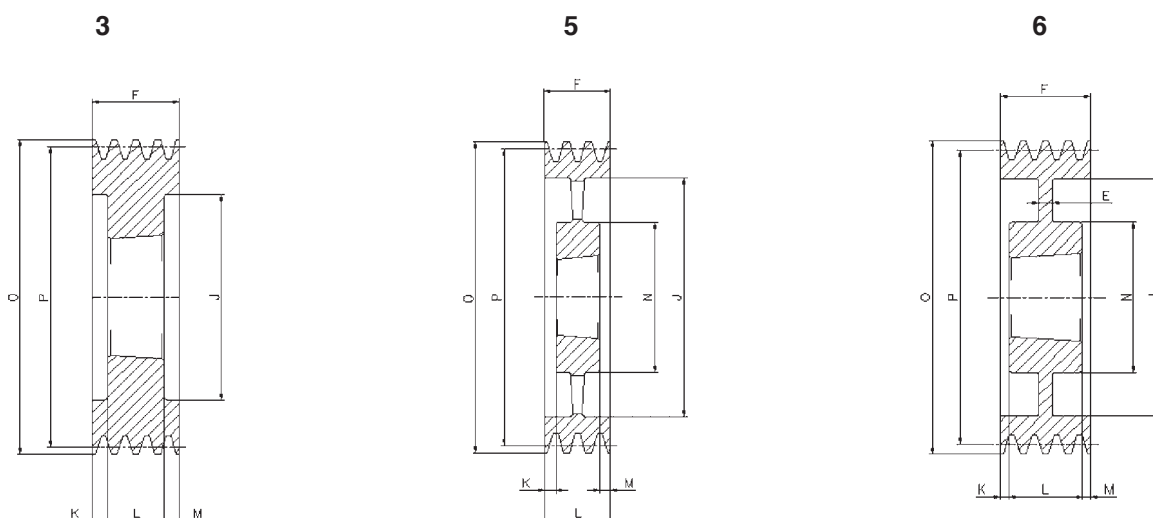
Pullegge trapezoidali per bussola conica



SPB/6

| Tipo | Gole | P | O | Forma | Bussola | Ø MAX | E | F | J | K | L | M | N |
|------------|------|------|------|-------|---------|-------|----|-----|------|------|-----|------|-----|
| SPB140-06 | 6 | 140 | 147 | 3 | 2517 | 60 | - | 120 | 100 | 37,5 | 45 | 37,5 | - |
| SPB150-06 | 6 | 150 | 157 | 3 | 2517 | 60 | - | 120 | 107 | 37,5 | 45 | 37,5 | - |
| SPB160-06 | 6 | 160 | 167 | 3 | 3020 | 75 | - | 120 | 117 | 34,5 | 51 | 34,5 | - |
| SPB170-06 | 6 | 170 | 177 | 3 | 3020 | 75 | - | 120 | 127 | 34,5 | 51 | 34,5 | - |
| SPB180-06 | 6 | 180 | 187 | 3 | 3020 | 75 | - | 120 | 137 | 34,5 | 51 | 34,5 | - |
| SPB190-06 | 6 | 190 | 197 | 3 | 3020 | 75 | - | 120 | 147 | 34,5 | 51 | 34,5 | - |
| SPB200-06 | 6 | 200 | 207 | 3 | 3020 | 75 | - | 120 | 157 | 34,5 | 51 | 34,5 | - |
| SPB212-06 | 6 | 212 | 219 | 3 | 3535 | 90 | - | 120 | 169 | 15,5 | 89 | 15,5 | - |
| SPB224-06 | 6 | 224 | 231 | 3 | 3535 | 90 | - | 120 | 181 | 15,5 | 89 | 15,5 | - |
| SPB236-06 | 6 | 236 | 243 | 3 | 3535 | 90 | - | 120 | 193 | 15,5 | 89 | 15,5 | - |
| SPB250-06 | 6 | 250 | 257 | 3 | 3535 | 90 | - | 120 | 207 | 15,5 | 89 | 15,5 | - |
| SPB280-06 | 6 | 280 | 287 | 6 | 3535 | 90 | 25 | 120 | 237 | 15,5 | 89 | 15,5 | 175 |
| SPB300-06 | 6 | 300 | 307 | 6 | 3535 | 90 | 25 | 120 | 257 | 15,5 | 89 | 15,5 | 175 |
| SPB315-06 | 6 | 315 | 322 | 6 | 3535 | 90 | 25 | 120 | 272 | 15,5 | 89 | 15,5 | 175 |
| SPB335-06 | 6 | 335 | 342 | 6 | 3535 | 90 | 25 | 120 | 292 | 15,5 | 89 | 15,5 | 175 |
| SPB355-06 | 6 | 355 | 362 | 6 | 3535 | 90 | 25 | 120 | 312 | 15,5 | 89 | 15,5 | 175 |
| SPB400-06 | 6 | 400 | 407 | 5 | 3535 | 90 | - | 120 | 357 | 15,5 | 89 | 15,5 | 175 |
| SPB450-06 | 6 | 450 | 457 | 5 | 4040 | 100 | - | 120 | 407 | - | 102 | 18 | 210 |
| SPB500-06 | 6 | 500 | 507 | 5 | 4040 | 100 | - | 120 | 457 | - | 102 | 18 | 210 |
| SPB560-06 | 6 | 560 | 567 | 5 | 4040 | 100 | - | 120 | 517 | - | 102 | 18 | 210 |
| SPB630-06 | 6 | 630 | 637 | 5 | 4040 | 100 | - | 120 | 587 | - | 102 | 18 | 210 |
| SPB710-06 | 6 | 710 | 717 | 5 | 4040 | 100 | - | 120 | 664 | 9 | 102 | 9 | 210 |
| SPB800-06 | 6 | 800 | 807 | 5 | 4545 | 110 | - | 120 | 754 | 3 | 114 | 3 | 242 |
| SPB900-06 | 6 | 900 | 907 | 5 | 4545 | 110 | - | 120 | 854 | 3 | 114 | 3 | 242 |
| SPB1000-06 | 6 | 1000 | 1007 | 5 | 4545 | 110 | - | 120 | 954 | 3 | 114 | 3 | 242 |
| SPB1250-06 | 6 | 1250 | 1257 | 5 | 4545 | 110 | - | 120 | 1204 | 3 | 114 | 3 | 242 |

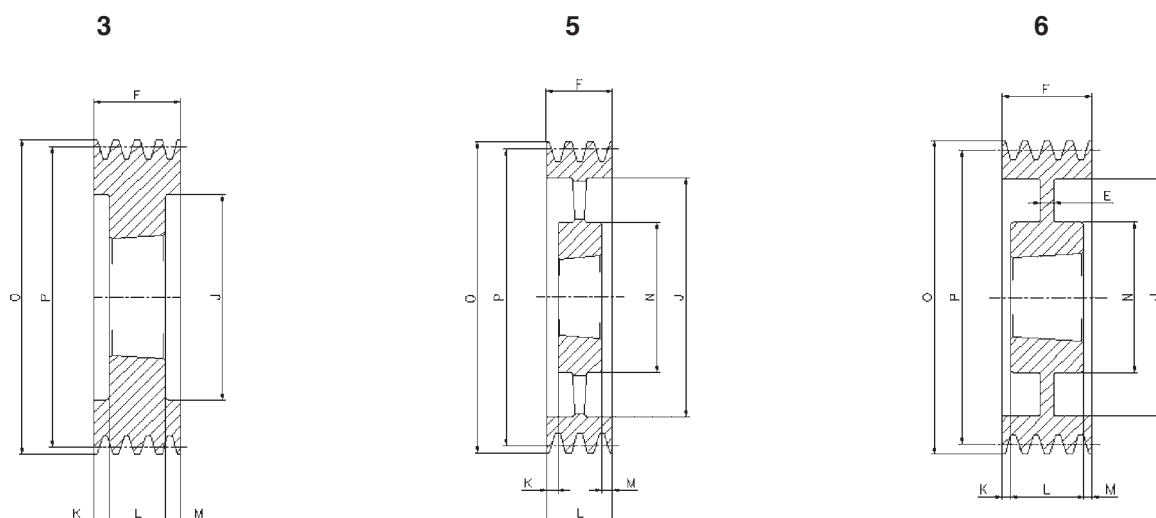
Pullegge trapezoidali per bussola conica



SPB/8

| Tipo | Gole | P | O | Forma | Bussola | Ø MAX | E | F | J | K | L | M | N |
|------------|------|------|------|-------|---------|----------|----|-----|------|------|-----|------|-----|
| SPB140-08 | 8 | 140 | 147 | 3 | 2517 | 60 | - | 158 | 97 | 56,5 | 45 | 56,5 | - |
| SPB160-08 | 8 | 160 | 167 | 3 | 3020 | 75 | - | 158 | 117 | 53,5 | 51 | 53,5 | - |
| SPB170-08 | 8 | 170 | 177 | 3 | 3030 | 75 | - | 158 | 127 | 41 | 76 | 41 | - |
| SPB180-08 | 8 | 180 | 187 | 3 | 3030 | 75 | - | 158 | 137 | 41 | 76 | 41 | - |
| SPB190-08 | 8 | 190 | 197 | 3 | 3030 | 75 | - | 158 | 147 | 41 | 76 | 41 | - |
| SPB200-08 | 8 | 200 | 207 | 3 | 3535 | 90 | - | 158 | 157 | 34,5 | 89 | 34,5 | - |
| SPB212-08 | 8 | 212 | 219 | 3 | 3535 | 90 | - | 158 | 169 | 34,5 | 89 | 34,5 | - |
| SPB224-08 | 8 | 224 | 231 | 3 | 3535 | 90 | - | 158 | 181 | 34,5 | 89 | 34,5 | - |
| SPB236-08 | 8 | 236 | 243 | 3 | 3535 | 90 | - | 158 | 193 | 34,5 | 89 | 34,5 | - |
| SPB250-08 | 8 | 250 | 257 | 3 | 3535 | 90 | - | 158 | 207 | 34,5 | 89 | 34,5 | - |
| SPB280-08 | 8 | 280 | 287 | 6 | 3535 | 90 | 25 | 158 | 237 | 34,5 | 89 | 34,5 | 175 |
| SPB300-08 | 8 | 300 | 307 | 6 | 3535 | 90 | 25 | 158 | 257 | 34,5 | 89 | 34,5 | 175 |
| SPB315-08 | 8 | 315 | 322 | 6 | 3535 | 90 | 25 | 158 | 272 | 34,5 | 89 | 34,5 | 175 |
| SPB335-08 | 8 | 335 | 342 | 6 | 3535 | 90 | 25 | 158 | 292 | 34,5 | 89 | 34,5 | 175 |
| SPB355-08 | 8 | 355 | 362 | 6 | 3535 | 90 | 25 | 158 | 312 | 34,5 | 89 | 34,5 | 175 |
| SPB400-08 | 8 | 400 | 407 | 6 | 4040 | 100 | 30 | 158 | 357 | 28 | 102 | 28 | 210 |
| SPB450-08 | 8 | 450 | 457 | 5 | 4040 | 100 | - | 158 | 407 | 28 | 102 | 28 | 210 |
| SPB500-08 | 8 | 500 | 507 | 5 | 4040 | 100 | - | 158 | 457 | 28 | 102 | 28 | 210 |
| SPB560-08 | 8 | 560 | 567 | 5 | 4545 | 110 | - | 158 | 517 | 22 | 114 | 22 | 242 |
| SPB630-08 | 8 | 630 | 637 | 5 | 4545 | 110 | - | 158 | 587 | 22 | 114 | 22 | 242 |
| SPB710-08 | 8 | 710 | 717 | 5 | 4545 | 110 | - | 158 | 664 | 22 | 114 | 22 | 242 |
| SPB800-08 | 8 | 800 | 807 | 5 | 4545 | 110 | - | 158 | 754 | 22 | 114 | 22 | 242 |
| SPB900-08 | 8 | 900 | 907 | 5 | 4545 | 110 | - | 158 | 854 | 22 | 114 | 22 | 242 |
| SPB1000-08 | 8 | 1000 | 1007 | 5 | 5050 | 125 | - | 158 | 954 | 15,5 | 127 | 15,5 | 267 |
| SPB1250-08 | 8 | 1250 | 1257 | 5 | 5050 | 125 | - | 158 | 1204 | 15,5 | 127 | 15,5 | 267 |

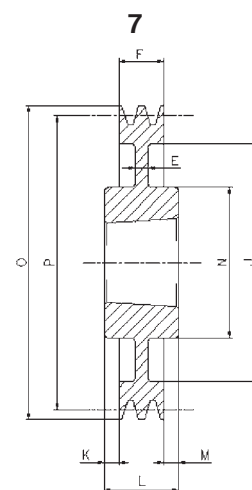
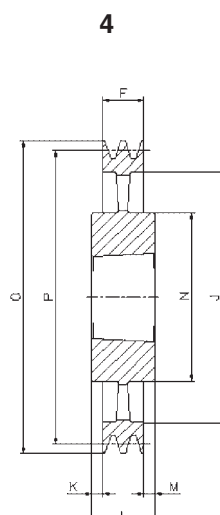
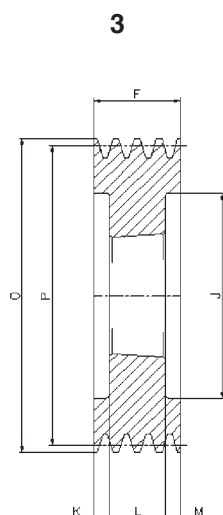
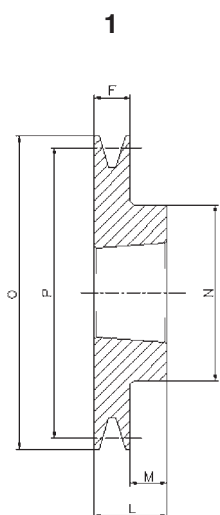
Pullegge trapezoidali per bussola conica



SPB/10

| Tipo | Gole | P | O | Forma | Bussola | \varnothing MAX | E | F | J | K | L | M | N |
|------------|------|-------------|------|-------|---------|-------------------|----|-----|-----|------|-----|------|-----|
| SPB224-10 | 10 | 224 | 231 | 3 | 3535 | 90 | - | 196 | 181 | 53,5 | 89 | 53,5 | - |
| SPB236-10 | 10 | 236 | 243 | 3 | 3535 | 90 | - | 196 | 193 | 53,5 | 89 | 53,5 | - |
| SPB250-10 | 10 | 250 | 257 | 3 | 3535 | 90 | - | 196 | 207 | 53,5 | 89 | 53,5 | - |
| SPB280-10 | 10 | 280 | 287 | 6 | 3535 | 90 | 30 | 196 | 237 | 53,5 | 89 | 53,5 | 175 |
| SPB315-10 | 10 | 315 | 322 | 6 | 3535 | 90 | 30 | 196 | 272 | 53,5 | 89 | 53,5 | 175 |
| SPB335-10 | 10 | 335 | 342 | 6 | 4040 | 100 | 30 | 196 | 292 | 47 | 102 | 47 | 210 |
| SPB355-10 | 10 | 355 | 362 | 6 | 4040 | 100 | 30 | 196 | 312 | 47 | 102 | 47 | 210 |
| SPB400-10 | 10 | 400 | 407 | 6 | 4040 | 100 | 30 | 196 | 357 | 47 | 102 | 47 | 210 |
| SPB450-10 | 10 | 450 | 457 | 5 | 4545 | 110 | - | 196 | 407 | 41 | 114 | 41 | 242 |
| SPB500-10 | 10 | 500 | 507 | 5 | 4545 | 110 | - | 196 | 457 | 41 | 114 | 41 | 242 |
| SPB560-10 | 10 | 560 | 567 | 5 | 4545 | 110 | - | 196 | 517 | 41 | 114 | 41 | 242 |
| SPB630-10 | 10 | 630 | 637 | 5 | 4545 | 110 | - | 196 | 587 | 41 | 114 | 41 | 242 |
| SPB710-10 | 10 | 710 | 717 | 5 | 4545 | 110 | - | 196 | 664 | 41 | 114 | 41 | 242 |
| SPB800-10 | 10 | 800 | 807 | 5 | 4545 | 110 | - | 196 | 754 | 41 | 114 | 41 | 242 |
| SPB900-10 | 10 | 900 | 907 | 5 | 5050 | 125 | - | 196 | 854 | 34,5 | 127 | 34,5 | 267 |
| SPB1000-10 | 10 | 1000 | 1007 | 5 | 5050 | 125 | - | 196 | 954 | 34,5 | 127 | 34,5 | 267 |

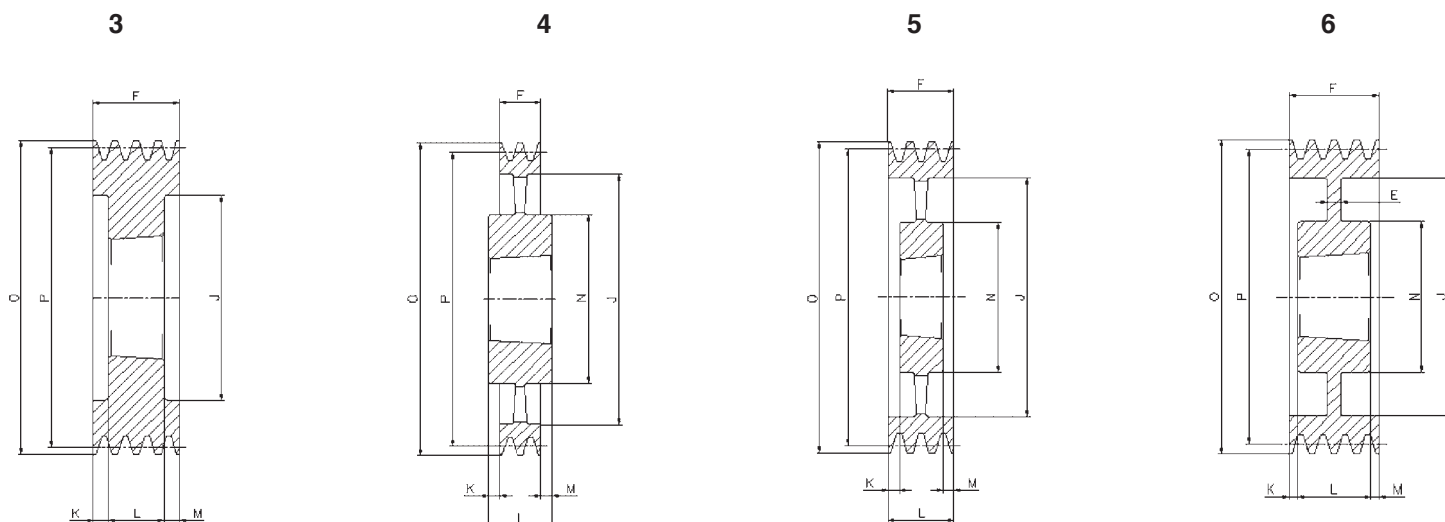
Pullegge trapezoidali per bussola conica



SPC/3

| Tipo | Gole | P | O | Forma | Bussola | \emptyset MAX | E | F | J | K | L | M | N |
|------------|------|------|--------|-------|---------|-----------------|----|----|------|------|-----|------|-----|
| SPC200-03 | 3 | 200 | 209,6 | 3 | 2517 | 60 | - | 85 | 144 | 20 | 45 | 20 | - |
| SPC212-03 | 3 | 212 | 221,6 | 3 | 3020 | 75 | - | 85 | 156 | 17 | 51 | 17 | - |
| SPC224-03 | 3 | 224 | 233,6 | 3 | 3020 | 75 | - | 85 | 168 | 17 | 51 | 17 | - |
| SPC236-03 | 3 | 236 | 245,6 | 3 | 3020 | 75 | - | 85 | 180 | 17 | 51 | 17 | - |
| SPC250-03 | 3 | 250 | 259,6 | 3 | 3020 | 75 | - | 85 | 194 | 17 | 51 | 17 | - |
| SPC265-03 | 3 | 265 | 274,6 | 1 | 3535 | 90 | - | 85 | 209 | - | 89 | 4 | 175 |
| SPC280-03 | 3 | 280 | 289,6 | 1 | 3535 | 90 | - | 85 | 224 | - | 89 | 4 | 175 |
| SPC300-03 | 3 | 300 | 309,6 | 7 | 3535 | 90 | 20 | 85 | 244 | 2 | 89 | 2 | 175 |
| SPC315-03 | 3 | 315 | 324,6 | 7 | 3535 | 90 | 20 | 85 | 259 | 2 | 89 | 2 | 175 |
| SPC335-03 | 3 | 335 | 344,6 | 7 | 3535 | 90 | 20 | 85 | 279 | 2 | 89 | 2 | 175 |
| SPC355-03 | 3 | 355 | 364,6 | 7 | 3535 | 90 | 20 | 85 | 299 | 2 | 89 | 2 | 175 |
| SPC375-03 | 3 | 375 | 384,6 | 7 | 3535 | 90 | 25 | 85 | 319 | 2 | 89 | 2 | 175 |
| SPC400-03 | 3 | 400 | 409,6 | 7 | 3535 | 90 | 17 | 85 | 344 | 2 | 89 | 2 | 175 |
| SPC425-03 | 3 | 425 | 434,6 | 7 | 3535 | 90 | 17 | 85 | 369 | 2 | 89 | 2 | 175 |
| SPC450-03 | 3 | 450 | 459,6 | 4 | 3535 | 90 | - | 85 | 394 | 2 | 89 | 2 | 175 |
| SPC475-03 | 3 | 475 | 484,6 | 4 | 3535 | 90 | - | 85 | 419 | 2 | 89 | 2 | 175 |
| SPC500-03 | 3 | 500 | 509,6 | 4 | 3535 | 90 | - | 85 | 444 | 2 | 89 | 2 | 175 |
| SPC530-03 | 3 | 530 | 539,6 | 4 | 3535 | 90 | - | 85 | 474 | 2 | 89 | 2 | 175 |
| SPC560-03 | 3 | 560 | 569,6 | 4 | 3535 | 90 | - | 85 | 504 | 2 | 89 | 2 | 175 |
| SPC630-03 | 3 | 630 | 639,6 | 4 | 4040 | 100 | - | 85 | 574 | 8,5 | 102 | 8,5 | 210 |
| SPC800-03 | 3 | 800 | 809,6 | 4 | 4545 | 110 | - | 85 | 737 | 14,5 | 114 | 14,5 | 242 |
| SPC1000-03 | 3 | 1000 | 1009,6 | 4 | 5050 | 125 | - | 85 | 937 | 21 | 127 | 21 | 267 |
| SPC1250-03 | 3 | 1250 | 1259,6 | 4 | 5050 | 125 | - | 85 | 1187 | 21 | 127 | 21 | 267 |

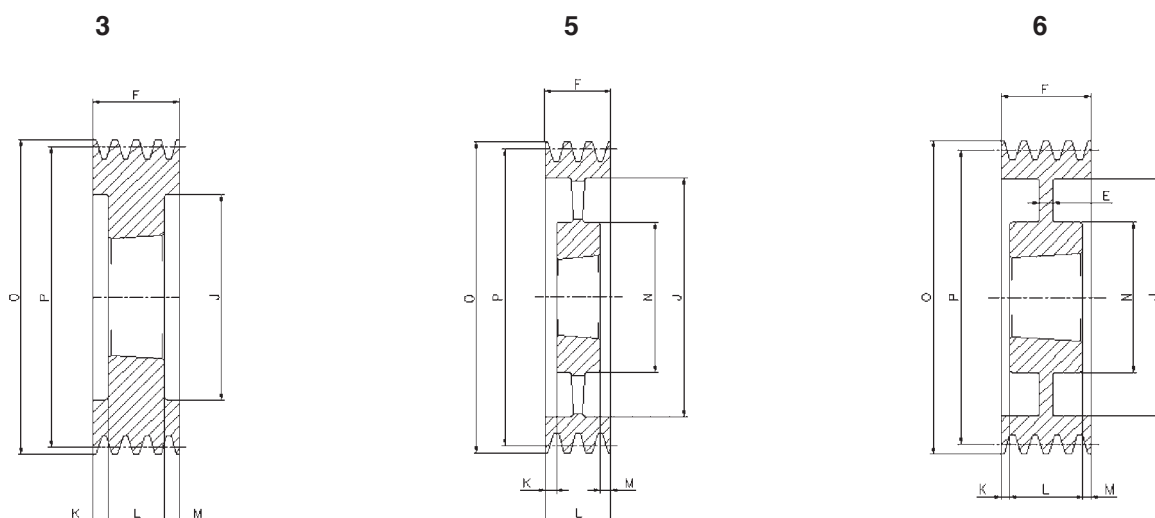
Pulegge trapezoidali per bussola conica



SPC/4

| Tipo | Gole | P | O | Forma | Bussola | Ø MAX | E | F | J | K | L | M | N |
|------------|------|------|--------|-------|---------|-------|----|-----|------|-----|-----|-----|-----|
| SPC200-04 | 4 | 200 | 209,6 | 3 | 3020 | 75 | - | 111 | 144 | 30 | 51 | 30 | - |
| SPC212-04 | 4 | 212 | 221,6 | 3 | 3020 | 75 | - | 111 | 156 | 30 | 51 | 30 | - |
| SPC224-04 | 4 | 224 | 233,6 | 3 | 3535 | 90 | - | 111 | 168 | 11 | 89 | 11 | - |
| SPC236-04 | 4 | 236 | 245,6 | 3 | 3535 | 90 | - | 111 | 180 | 11 | 89 | 11 | - |
| SPC250-04 | 4 | 250 | 259,6 | 3 | 3535 | 90 | - | 111 | 194 | 11 | 89 | 11 | - |
| SPC265-04 | 4 | 265 | 274,6 | 3 | 3535 | 90 | - | 111 | 209 | 11 | 89 | 11 | - |
| SPC280-04 | 4 | 280 | 289,6 | 6 | 3535 | 90 | 18 | 111 | 224 | 11 | 89 | 11 | 175 |
| SPC300-04 | 4 | 300 | 309,6 | 6 | 3535 | 90 | 20 | 111 | 244 | 11 | 89 | 11 | 175 |
| SPC315-04 | 4 | 315 | 324,6 | 6 | 3535 | 90 | 20 | 111 | 259 | 11 | 89 | 11 | 175 |
| SPC335-04 | 4 | 335 | 344,6 | 6 | 3535 | 90 | 20 | 111 | 279 | 11 | 89 | 11 | 175 |
| SPC355-04 | 4 | 355 | 364,6 | 6 | 3535 | 90 | 20 | 111 | 299 | 11 | 89 | 11 | 175 |
| SPC375-04 | 4 | 375 | 384,6 | 6 | 3535 | 90 | 25 | 111 | 319 | 11 | 89 | 11 | 175 |
| SPC400-04 | 4 | 400 | 409,6 | 6 | 3535 | 90 | 18 | 111 | 344 | 11 | 89 | 11 | 175 |
| SPC425-04 | 4 | 425 | 434,6 | 6 | 3535 | 90 | 18 | 111 | 369 | 11 | 89 | 11 | 175 |
| SPC450-04 | 4 | 450 | 459,6 | 5 | 3535 | 90 | - | 111 | 394 | 11 | 89 | 11 | 175 |
| SPC475-04 | 4 | 475 | 484,6 | 5 | 3535 | 90 | - | 111 | 419 | 11 | 89 | 11 | 175 |
| SPC500-04 | 4 | 500 | 509,6 | 5 | 3535 | 90 | - | 111 | 444 | 11 | 89 | 11 | 175 |
| SPC530-04 | 4 | 530 | 539,6 | 5 | 4040 | 100 | - | 111 | 474 | 4,5 | 102 | 4,5 | 210 |
| SPC560-04 | 4 | 560 | 569,6 | 5 | 4040 | 100 | - | 111 | 504 | 4,5 | 102 | 4,5 | 210 |
| SPC630-04 | 4 | 630 | 639,6 | 4 | 4545 | 110 | - | 111 | 574 | 1,5 | 114 | 1,5 | 242 |
| SPC710-04 | 4 | 710 | 719,6 | 4 | 5050 | 125 | - | 111 | 654 | 8 | 127 | 8 | 267 |
| SPC800-04 | 4 | 800 | 809,6 | 4 | 5050 | 125 | - | 111 | 737 | 8 | 127 | 8 | 267 |
| SPC1000-04 | 4 | 1000 | 1009,6 | 4 | 5050 | 125 | - | 111 | 937 | 8 | 127 | 8 | 267 |
| SPC1250-04 | 4 | 1250 | 1259,6 | 4 | 5050 | 125 | - | 111 | 1187 | 8 | 127 | 8 | 267 |

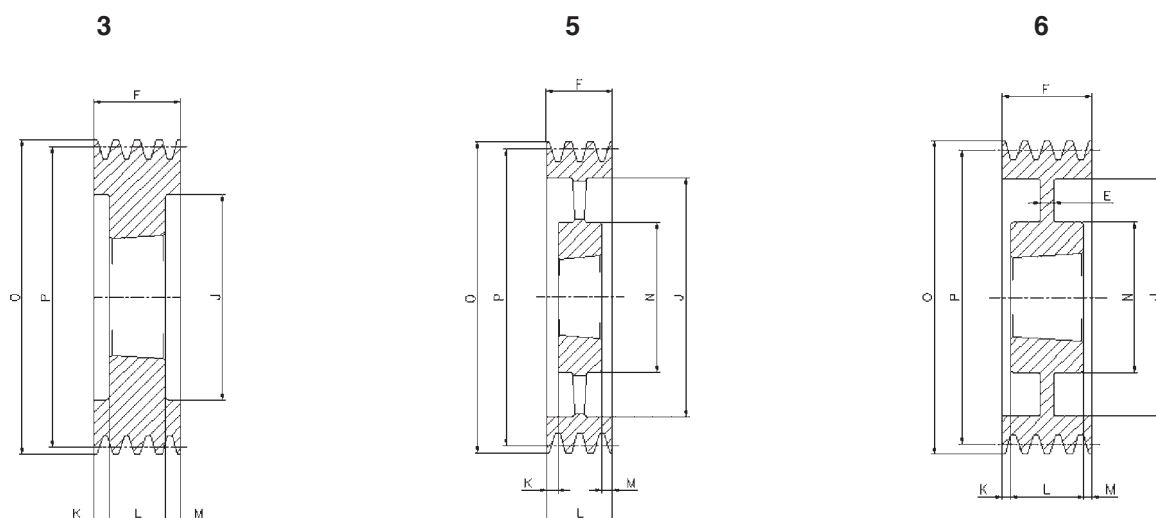
Pullegge trapezoidali per bussola conica



SPC/5

| Tipo | Gole | P | O | Forma | Bussola | Ø MAX | E | F | J | K | L | M | N |
|------------|------|------|--------|-------|---------|-------|----|-----|------|------|-----|------|-----|
| SPC200-05 | 5 | 200 | 209,6 | 3 | 3535 | 90 | - | 136 | 144 | 23,5 | 89 | 23,5 | - |
| SPC212-05 | 5 | 212 | 221,6 | 3 | 3535 | 90 | - | 136 | 156 | 23,5 | 89 | 23,5 | - |
| SPC224-05 | 5 | 224 | 233,6 | 3 | 3535 | 90 | - | 136 | 168 | 23,5 | 89 | 23,5 | - |
| SPC236-05 | 5 | 236 | 245,6 | 3 | 3535 | 90 | - | 136 | 180 | 23,5 | 89 | 23,5 | - |
| SPC250-05 | 5 | 250 | 259,6 | 3 | 3535 | 90 | - | 136 | 194 | 23,5 | 89 | 23,5 | - |
| SPC265-05 | 5 | 265 | 274,6 | 3 | 3535 | 90 | - | 136 | 209 | 23,5 | 89 | 23,5 | - |
| SPC280-05 | 5 | 280 | 289,6 | 3 | 3535 | 90 | - | 136 | 224 | 23,5 | 89 | 23,5 | - |
| SPC300-05 | 5 | 300 | 309,6 | 6 | 3535 | 90 | 20 | 136 | 244 | 23,5 | 89 | 23,5 | 175 |
| SPC315-05 | 5 | 315 | 324,6 | 6 | 3535 | 90 | 20 | 136 | 259 | 23,5 | 89 | 23,5 | 175 |
| SPC335-05 | 5 | 335 | 344,6 | 6 | 3535 | 90 | 20 | 136 | 279 | 23,5 | 89 | 23,5 | 175 |
| SPC355-05 | 5 | 355 | 364,6 | 6 | 3535 | 90 | 20 | 136 | 299 | 23,5 | 89 | 23,5 | 175 |
| SPC375-05 | 5 | 375 | 384,6 | 6 | 3535 | 90 | 25 | 136 | 319 | 23,5 | 89 | 23,5 | 175 |
| SPC400-05 | 5 | 400 | 409,6 | 6 | 3535 | 90 | 15 | 136 | 344 | 23,5 | 89 | 23,5 | 175 |
| SPC425-05 | 5 | 425 | 434,6 | 6 | 3535 | 90 | 20 | 136 | 369 | 23,5 | 89 | 23,5 | 175 |
| SPC450-05 | 5 | 450 | 459,6 | 5 | 4040 | 100 | - | 136 | 394 | 17 | 102 | 17 | 210 |
| SPC475-05 | 5 | 475 | 484,6 | 5 | 4040 | 100 | - | 136 | 419 | 17 | 102 | 17 | 210 |
| SPC500-05 | 5 | 500 | 509,6 | 5 | 4040 | 100 | - | 136 | 444 | 17 | 102 | 17 | 210 |
| SPC530-05 | 5 | 530 | 539,6 | 5 | 4545 | 110 | - | 136 | 474 | 11 | 114 | 11 | 240 |
| SPC560-05 | 5 | 560 | 569,6 | 5 | 4545 | 110 | - | 136 | 504 | 11 | 114 | 11 | 242 |
| SPC630-05 | 5 | 630 | 639,6 | 5 | 5050 | 125 | - | 136 | 574 | 4,5 | 127 | 4,5 | 267 |
| SPC710-05 | 5 | 710 | 719,6 | 5 | 5050 | 125 | - | 136 | 654 | 4,5 | 127 | 4,5 | 267 |
| SPC800-05 | 5 | 800 | 809,6 | 5 | 5050 | 125 | - | 136 | 737 | 4,5 | 127 | 4,5 | 267 |
| SPC1000-05 | 5 | 1000 | 1009,6 | 5 | 5050 | 125 | - | 136 | 937 | 4,5 | 127 | 4,5 | 267 |
| SPC1250-05 | 5 | 1250 | 1259,6 | 5 | 5050 | 125 | - | 136 | 1187 | 4,5 | 127 | 4,5 | 267 |

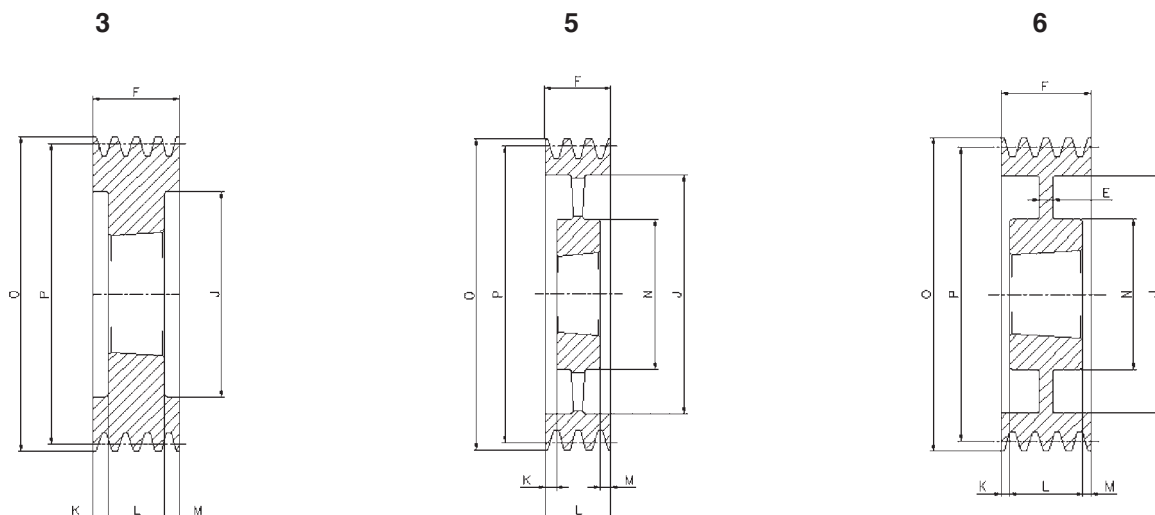
Pullegge trapezoidali per bussola conica



SPC/6

| Tipo | Gole | P | O | Forma | Bussola | Ø MAX | E | F | J | K | L | M | N |
|------------|------|------|--------|-------|---------|-------|----|-----|------|------|-----|------|-----|
| SPC200-06 | 6 | 200 | 209,6 | 3 | 3535 | 90 | - | 162 | 144 | 36,5 | 89 | 36,5 | - |
| SPC212-06 | 6 | 212 | 221,6 | 3 | 3535 | 90 | - | 162 | 156 | 36,5 | 89 | 36,5 | - |
| SPC224-06 | 6 | 224 | 233,6 | 3 | 3535 | 90 | - | 162 | 168 | 36,5 | 89 | 36,5 | - |
| SPC236-06 | 6 | 236 | 245,6 | 3 | 3535 | 90 | - | 162 | 180 | 36,5 | 89 | 36,5 | - |
| SPC250-06 | 6 | 250 | 259,6 | 3 | 3535 | 90 | - | 162 | 194 | 36,5 | 89 | 36,5 | - |
| SPC265-06 | 6 | 265 | 274,6 | 3 | 3535 | 90 | - | 162 | 209 | 36,5 | 89 | 36,5 | - |
| SPC280-06 | 6 | 280 | 289,6 | 6 | 3535 | 90 | 20 | 162 | 224 | 36,5 | 89 | 36,5 | 175 |
| SPC300-06 | 6 | 300 | 309,6 | 6 | 3535 | 90 | 20 | 162 | 244 | 36,5 | 89 | 36,5 | 175 |
| SPC315-06 | 6 | 315 | 324,6 | 6 | 3535 | 90 | 20 | 162 | 259 | 36,5 | 89 | 36,5 | 175 |
| SPC335-06 | 6 | 335 | 344,6 | 6 | 3535 | 90 | 20 | 162 | 279 | 36,5 | 89 | 36,5 | 175 |
| SPC355-06 | 6 | 355 | 364,6 | 6 | 3535 | 90 | 20 | 162 | 299 | 36,5 | 89 | 36,5 | 175 |
| SPC375-06 | 6 | 375 | 384,6 | 6 | 4040 | 100 | 30 | 162 | 319 | 30 | 102 | 30 | 210 |
| SPC400-06 | 6 | 400 | 409,6 | 6 | 4040 | 100 | 30 | 162 | 344 | 30 | 102 | 30 | 210 |
| SPC425-06 | 6 | 425 | 434,6 | 6 | 4040 | 100 | 30 | 162 | 369 | 30 | 102 | 24 | 210 |
| SPC450-06 | 6 | 450 | 459,6 | 6 | 4545 | 110 | 30 | 162 | 394 | 24 | 114 | 24 | 242 |
| SPC475-06 | 6 | 475 | 484,6 | 6 | 4545 | 110 | 30 | 162 | 419 | 24 | 114 | 24 | 242 |
| SPC500-06 | 6 | 500 | 509,6 | 5 | 4545 | 110 | - | 162 | 444 | 24 | 114 | 24 | 242 |
| SPC530-06 | 6 | 530 | 539,6 | 5 | 5050 | 125 | - | 162 | 474 | 17,5 | 114 | 17,5 | 265 |
| SPC560-06 | 6 | 560 | 569,6 | 5 | 5050 | 125 | - | 162 | 504 | 17,5 | 127 | 17,5 | 267 |
| SPC630-06 | 6 | 630 | 639,6 | 5 | 5050 | 125 | - | 162 | 574 | 17,5 | 127 | 17,5 | 267 |
| SPC710-06 | 6 | 710 | 719,6 | 5 | 5050 | 125 | - | 162 | 654 | 17,5 | 127 | 17,5 | 267 |
| SPC800-06 | 6 | 800 | 809,6 | 5 | 5050 | 125 | - | 162 | 737 | 17,5 | 127 | 17,5 | 267 |
| SPC1000-06 | 6 | 1000 | 1009,6 | 5 | 5050 | 125 | - | 162 | 937 | 17,5 | 127 | 17,5 | 267 |
| SPC1250-06 | 6 | 1250 | 1259,6 | 5 | 5050 | 125 | - | 162 | 1187 | 17,5 | 127 | 17,5 | 267 |

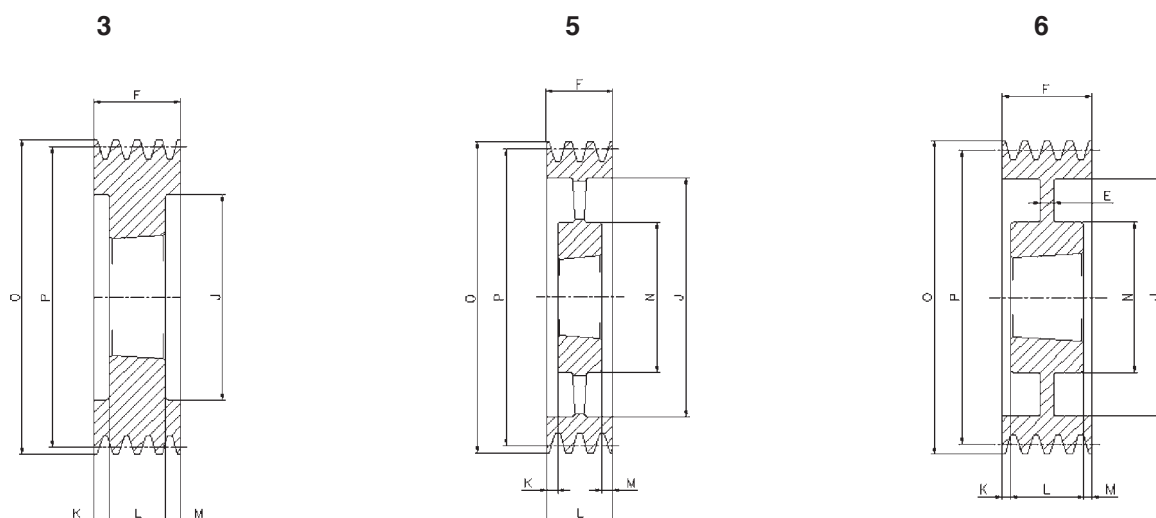
Pullegge trapezoidali per bussola conica



SPC/8

| Tipo | Gole | P | O | Forma | Bussola | \emptyset MAX | E | F | J | K | L | M | N |
|------------|------|------|--------|-------|---------|-----------------|----|-----|------|------|-----|------|-----|
| SPC200-08 | 8 | 200 | 209,6 | 3 | 3535 | 90 | - | 213 | 144 | 62 | 89 | 62 | - |
| SPC212-08 | 8 | 212 | 221,6 | 3 | 3535 | 90 | - | 213 | 156 | 62 | 89 | 62 | - |
| SPC224-08 | 8 | 224 | 233,6 | 3 | 3535 | 90 | - | 213 | 168 | 62 | 89 | 62 | - |
| SPC236-08 | 8 | 236 | 245,6 | 3 | 3535 | 90 | - | 213 | 180 | 62 | 89 | 62 | - |
| SPC250-08 | 8 | 250 | 259,6 | 3 | 3535 | 90 | - | 213 | 194 | 62 | 89 | 62 | - |
| SPC265-08 | 8 | 265 | 274,6 | 3 | 3535 | 90 | - | 213 | 209 | 62 | 89 | 62 | - |
| SPC280-08 | 8 | 280 | 289,6 | 3 | 3535 | 90 | - | 213 | 224 | 62 | 89 | 62 | - |
| SPC300-08 | 8 | 300 | 309,6 | 3 | 4040 | 100 | - | 213 | 244 | 55,5 | 102 | 55,5 | - |
| SPC315-08 | 8 | 315 | 324,6 | 3 | 4040 | 100 | - | 213 | 259 | 55,5 | 102 | 55,5 | - |
| SPC335-08 | 8 | 335 | 344,6 | 6 | 4040 | 100 | 50 | 213 | 279 | 55,5 | 102 | 55,5 | 210 |
| SPC355-08 | 8 | 355 | 364,6 | 6 | 4040 | 100 | 40 | 213 | 299 | 55,5 | 102 | 55,5 | 210 |
| SPC375-08 | 8 | 375 | 384,6 | 6 | 4545 | 110 | 30 | 213 | 319 | 49,5 | 114 | 49,5 | 242 |
| SPC400-08 | 8 | 400 | 409,6 | 6 | 4545 | 110 | 30 | 213 | 344 | 49,5 | 114 | 49,5 | 242 |
| SPC425-08 | 8 | 425 | 434,6 | 6 | 4545 | 110 | 30 | 213 | 369 | 49,5 | 114 | 49,5 | 240 |
| SPC450-08 | 8 | 450 | 459,6 | 6 | 5050 | 125 | 30 | 213 | 394 | 43 | 127 | 43 | 267 |
| SPC475-08 | 8 | 475 | 484,6 | 6 | 5050 | 125 | 30 | 213 | 419 | 43 | 127 | 43 | 267 |
| SPC500-08 | 8 | 500 | 509,6 | 6 | 5050 | 125 | 30 | 213 | 444 | 43 | 127 | 43 | 267 |
| SPC530-08 | 8 | 530 | 539,6 | 6 | 5050 | 125 | 30 | 213 | 474 | 43 | 127 | 43 | 267 |
| SPC560-08 | 8 | 560 | 569,6 | 5 | 5050 | 125 | - | 213 | 504 | 43 | 127 | 43 | 267 |
| SPC630-08 | 8 | 630 | 639,6 | 5 | 5050 | 125 | - | 213 | 574 | 43 | 127 | 43 | 267 |
| SPC710-08 | 8 | 710 | 719,6 | 5 | 5050 | 125 | - | 213 | 654 | 43 | 127 | 43 | 267 |
| SPC800-08 | 8 | 800 | 809,6 | 5 | 5050 | 125 | - | 213 | 737 | 43 | 127 | 43 | 267 |
| SPC1000-08 | 8 | 1000 | 1009,6 | 5 | 5050 | 125 | - | 213 | 937 | 43 | 127 | 43 | 267 |
| SPC1250-08 | 8 | 1250 | 1259,6 | 5 | 5050 | 125 | - | 213 | 1187 | 43 | 127 | 43 | 267 |

Pullegge trapezoidali per bussola conica



SPC/10

| Tipo | Gole | P | O | Forma | Bussola | Ø MAX | E | F | J | K | L | M | N |
|------------|------|-------------|--------|-------|---------|-------|----|-----|------|------|-----|------|-----|
| SPC250-10 | 10 | 250 | 259,6 | 3 | 4040 | 100 | - | 264 | 194 | 81 | 102 | 81 | - |
| SPC280-10 | 10 | 280 | 289,6 | 3 | 4040 | 100 | - | 264 | 224 | 81 | 102 | 81 | - |
| SPC300-10 | 10 | 300 | 309,6 | 3 | 4545 | 110 | - | 264 | 244 | 75 | 114 | 75 | - |
| SPC315-10 | 10 | 315 | 324,6 | 3 | 4545 | 110 | - | 264 | 259 | 75 | 114 | 75 | - |
| SPC355-10 | 10 | 355 | 364,6 | 3 | 4545 | 110 | - | 264 | 299 | 75 | 114 | 75 | - |
| SPC375-10 | 10 | 375 | 384,6 | 3 | 4545 | 110 | - | 264 | 316 | 75 | 114 | 75 | - |
| SPC400-10 | 10 | 400 | 409,6 | 6 | 5050 | 125 | 70 | 264 | 344 | 68,5 | 127 | 68,5 | 267 |
| SPC450-10 | 10 | 450 | 459,6 | 6 | 5050 | 125 | 40 | 264 | 394 | 68,5 | 127 | 68,5 | 267 |
| SPC500-10 | 10 | 500 | 509,6 | 6 | 5050 | 125 | 40 | 264 | 444 | 68,5 | 127 | 68,5 | 267 |
| SPC560-10 | 10 | 560 | 569,6 | 5 | 5050 | 125 | - | 264 | 504 | 68,5 | 127 | 68,5 | 267 |
| SPC630-10 | 10 | 630 | 639,6 | 5 | 5050 | 125 | - | 264 | 574 | 68,5 | 127 | 68,5 | 267 |
| SPC710-10 | 10 | 710 | 719,6 | 5 | 5050 | 125 | - | 264 | 654 | 68,5 | 127 | 68,5 | 267 |
| SPC800-10 | 10 | 800 | 809,6 | 5 | 5050 | 125 | - | 264 | 737 | 68,5 | 127 | 68,5 | 267 |
| SPC1000-10 | 10 | 1000 | 1009,6 | 5 | 5050 | 125 | - | 264 | 937 | 68,5 | 127 | 68,5 | 267 |
| SPC1250-10 | 10 | 1250 | 1259,6 | 5 | 5050 | 125 | - | 264 | 1187 | 68,5 | 127 | 68,5 | 267 |